

SPEDLOGSWISS



Message Implementation Documentation

Speditionsauftrag

based on
IFTMIN
Instruction message

EANCOM® 2002 S3; D.01B; Edition 2010

- **Table of revisions**
- **Branching Diagram**
- **Segment Details**

Version: 1.1
Variant: final
Issue date: 18.10.2013

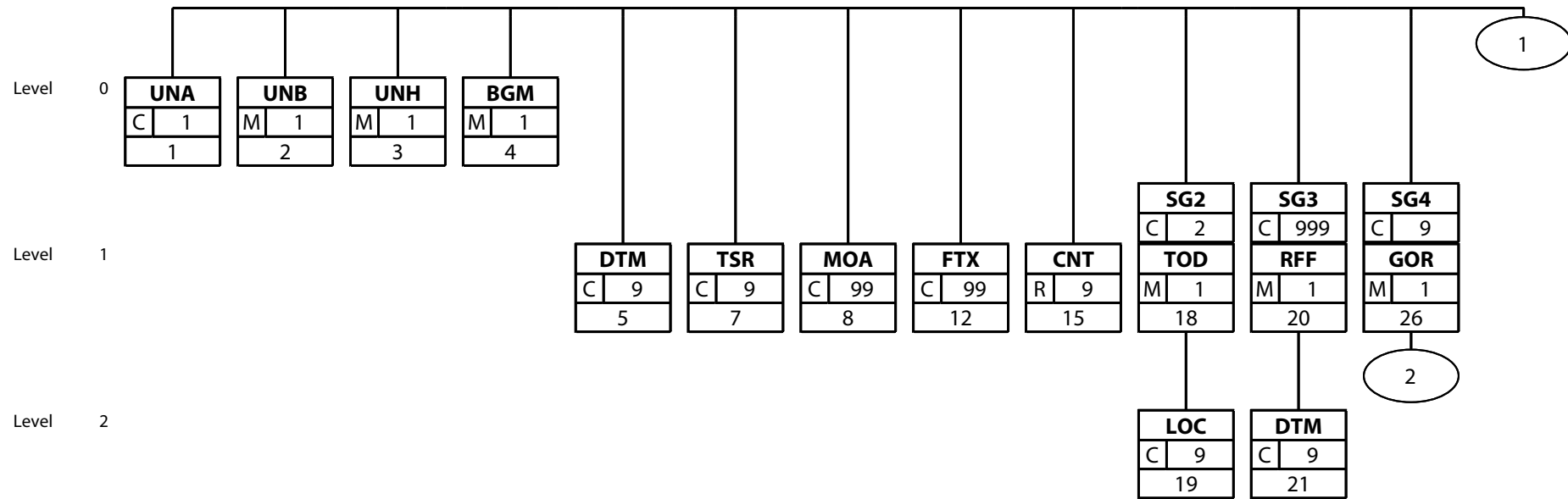
IFTMIN 1.1

Table of revisions

Lfd.Nr.	Kommentar	Segment und Datenelement
01	18.04.2011/v1.02: New code added (ABA Customs valuation decision number)	110 RFF SG18#1\SG22#1
02	17.10.2013/v1.1: Segment for 'Certificate of analysis' added	33 DOC SG4#1\SG5#4

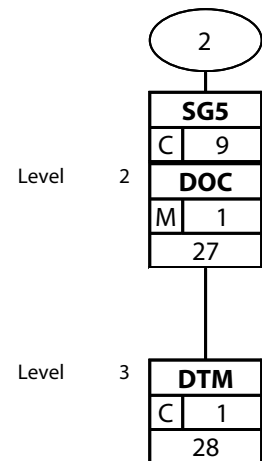
IFTMIN 1.1

Branching diagram



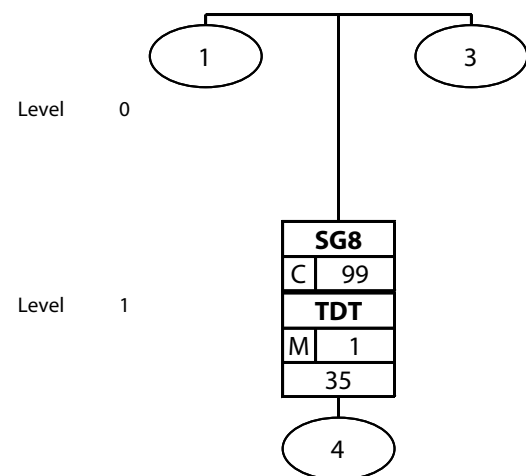
IFTMIN 1.1

Branching diagram



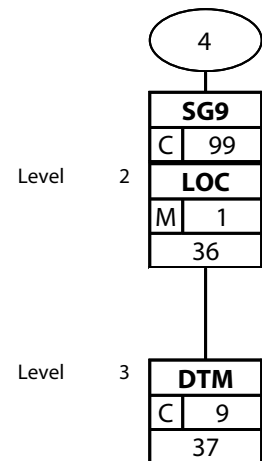
IFTMIN 1.1

Branching diagram



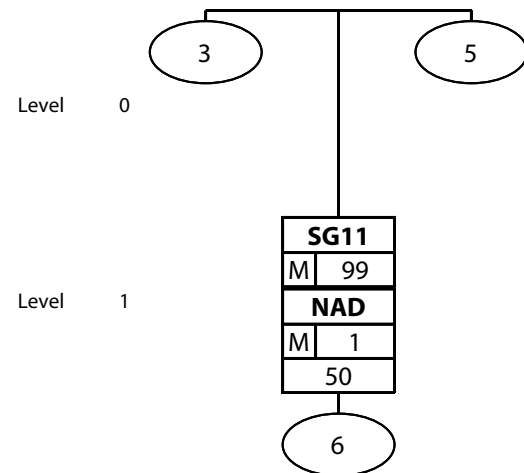
IFTMIN 1.1

Branching diagram



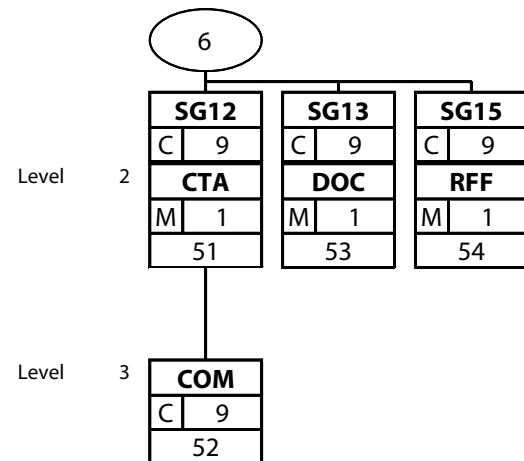
IFTMIN 1.1

Branching diagram



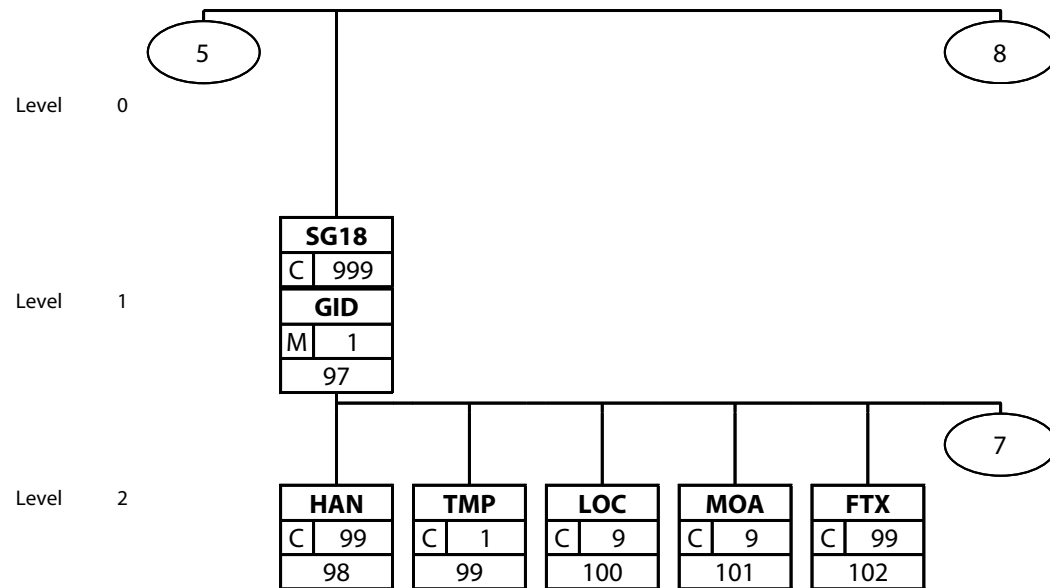
IFTMIN 1.1

Branching diagram



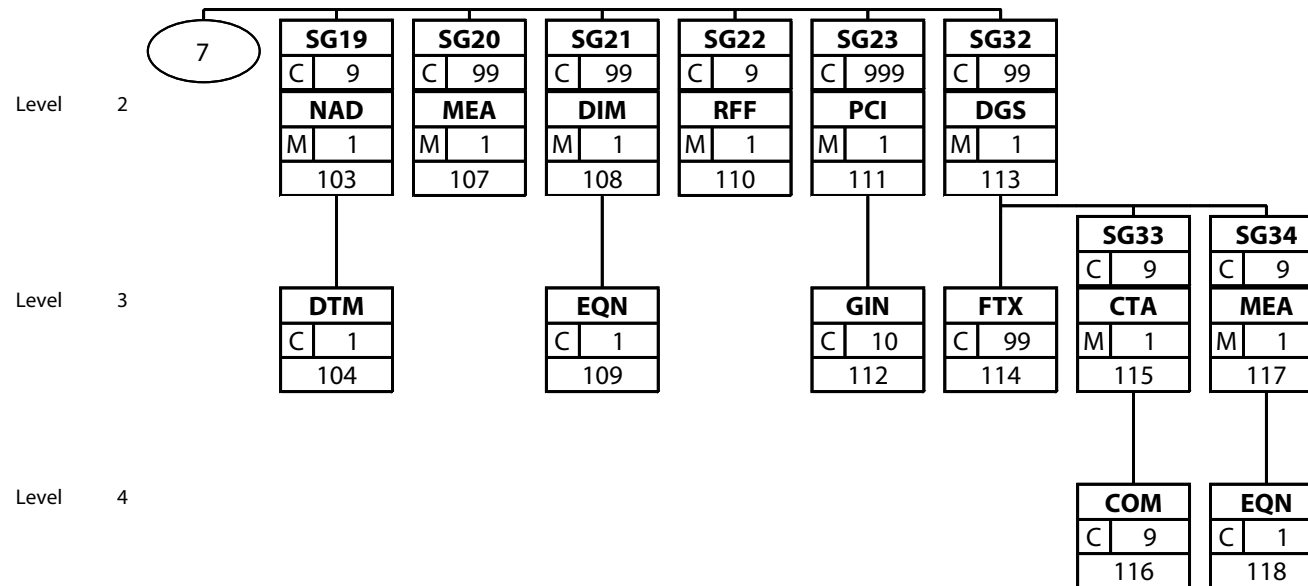
IFTMIN 1.1

Branching diagram



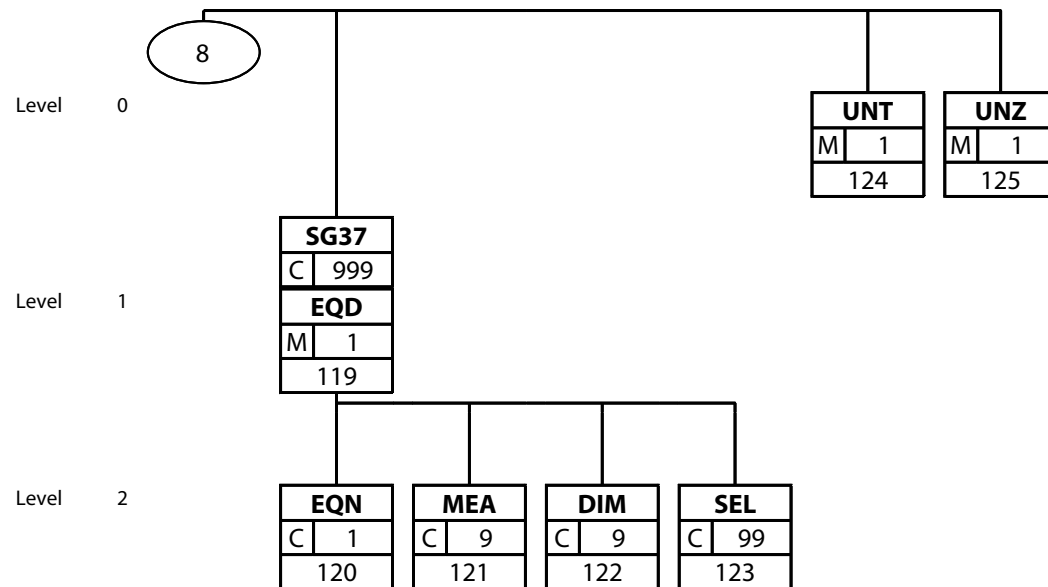
IFTMIN 1.1

Branching diagram



IFTMIN 1.1

Branching diagram



IFTMIN 1.1

Segments Layout

Segment **UNA** No.: 1 Level: 0 Service string advice
 Status: C Max. occ.: 1

Description Service string advice

Description of Segment:

	Description	St Format	*	Example	Remarks
UNA1	Component data element separator	M an1		:	
UNA2	Data element separator	M an1		+	
UNA3	Decimal notation	M an1		.	
UNA4	Release indicator	M an1		?	
UNA5	Reserved for future use	M an1			
UNA6	Segment terminator	M an1		'	

Description:

Example:

UNA:+.?'

IFTMIN 1.1

Segments Layout

Segment **UNB** No.: 2 Level: 0 Interchange header
 Status: M Max. occ.: 1

Description Interchange header

Description of Segment:

	Description	St Format	*	Example	Remarks
S001	<i>Syntax identifier</i>	M			
0001	Syntax identifier	M a4		+UNOC	
0002	Syntax version number	M n1		:3	
S002	<i>Interchange sender</i>	M			
0004	Sender identification	M an..35		+761234 5123455	
0007	Partner identification code qualifier	C an..4		:14	
S003	<i>Interchange recipient</i>	M			
0010	Recipient identification	M an..35		+761234 5543215	
0007	Partner identification code qualifier	C an..4		:14	
S004	<i>Date/time of preparation</i>	M			
0017	Date of preparation	M n6		+090513	
0019	Time of preparation	M n4		:1452	
0020	Interchange control reference	M an..14		+123456	
S005	<i>Recipient's reference, password</i>	C			
0022	Recipient's reference/ password	M an..14		+	
0026	Application reference	C an..14		+	
0029	Processing priority code	C a1		+	
0031	Acknowledgement request	C n1		+1	
0032	Communications agreement ID	C an..35		+	
0035	Test indicator	C n1		+1'	

Description:

Example:

UNB+UNOC:3+7612345123455:14+7612345543215:14+090513:1452+123456++++1+++1'

IFTMIN 1.1

Segments Layout

Segment **UNH** No.: 3 Level: 0 Message header
 Status: M Max. occ.: 1

Description Message header

Description of Segment:

	Description	St Format	*	Example	Remarks
0062	Message reference number	M an..14		+000000 17310	
S009	<i>Message identifier</i>	M			
0065	Message type	M an..6		+IFTMIN	IFTMIN = Instruction message
0052	Message version number	M an..3		:D	D = Draft version/UN/EDIFACT Directory
0054	Message release number	M an..3		:01B	01B = Release 2001 - B
0051	Controlling agency	M an..2		:UN	UN = UN/CEFACT
0057	Association assigned code	R an..6		:EAN004'	EAN004 = GS1 version control number (GS1 Code)

Description:

Example:

UNH+00000017310+IFTMIN:D:01B:UN:EAN004'

IFTMIN 1.1

Segments Layout

Segment **BGM** No.: 4 Level: 0 Beginning of message
 Status: M Max. occ.: 1

Description Document number

Description of Segment:

	Description	St Format	*	Example	Remarks
C002	<i>Document/message name</i>	R			
1001	Document name code	R an..3		+610	610 = Forwarding instructions
C106	<i>Document/message identification</i>	C			
1004	Document identifier	R an..35		+000000 17310	
1225	Message function code	R an..3	*	+9	1 = Cancellation 5 = Replace 9 = Original
4343	Response type code	C an..3		+AA'	

Description:

Example:

BGM+610+00000017310+9+AA'

IFTMIN 1.1

Segments Layout

Segment **DTM** No.: 5 Level: 1 Date/time/period
 Status: C Max. occ.: 9

Description Date of order

Description of Segment:

	Description	St Format	*	Example	Remarks
C507	<i>Date/time/period</i>	M			
2005	Date or time or period function code qualifier	M an..3	*	+137	137 = Document/message date/time
2380	Date or time or period value	R an..35		: 2009100 50822	
2379	Date or time or period format code	R an..3	*	:203'	203 = CCYYMMDDHHMM

Description:

Identification of the 'Document/message date/time' (code value 137) is mandatory.

Example:

DTM+137:200910050822:203'

IFTMIN 1.1

Segments Layout

Segment **DTM**
 No.: 6 Level: 1 **Date/time/period**
 Status: C Max. occ.: 9

Description Date of previous advice

Description of Segment:

	Description	St Format	*	Example	Remarks
C507	<i>Date/time/period</i>	M			
2005	Date or time or period function code qualifier	M an..3	*	+417	417 = Previous booking date/time Datum/Zeit der telefonischen Voravisierung Date/time of previous advice.
2380	Date or time or period value	R an..35		: 2009100 50822	
2379	Date or time or period format code	R an..3	*	:203'	203 = CCYYMMDDHHMM 102 = CCYYMMDD

Description:

Example:

DTM+417:200910050822:203'

IFTMIN 1.1

Segments Layout

Segment **TSR** No.: 7 Level: 1 Transport service requirements
 Status: C Max. occ.: 9

Description Transport service requirements

Description of Segment:

	Description	St Format	*	Example	Remarks
C536	<i>Contract and carriage condition</i>	O			
4065	Contract and carriage condition code	M an..3	*	+6'	6 = Freight forwarders national conditions

Description:

This segment has to be submitted to accept the general conditions of Spedlogswiss (latest version).

Example:

TSR+6'

IFTMIN 1.1

Segments Layout

Segment **MOA** No.: 8 Level: 1 **Monetary amount**
 Status: C Max. occ.: 99

Description Versicherungswert

Description of Segment:

	Description	St Format	*	Example	Remarks
C516	<i>Monetary amount</i>	M			
5025	Monetary amount type code qualifier	M an..3	*	+157	157 = Insurance value
5004	Monetary amount	R n..35		:12000	
6345	Currency identification code	R an..3		:EUR'	

Description:

Value and currency for insurance purposes.

Example:

MOA+157:12000:EUR'

IFTMIN 1.1

Segments Layout

Segment **MOA** No.: 9 Level: 1 **Monetary amount**
 Status: C Max. occ.: 99

Description Nachnahmebetrag

Description of Segment:

	Description	St Format	*	Example	Remarks
C516	<i>Monetary amount</i>	M			
5025	Monetary amount type code qualifier	M an..3	*	+22	22 = Cash on delivery amount
5004	Monetary amount	R n..35		:12125	
6345	Currency identification code	R an..3		:EUR'	

Description:

Value and currency for cash on delivery (COD) or cash against documents (CAD) puposes.

Example:

MOA+22:12125:EUR'

IFTMIN 1.1

Segments Layout

Segment **MOA** No.: 10 Level: 1 **Monetary amount**
 Status: C Max. occ.: 99

Description Rechnungsbetrag

Description of Segment:

	Description	St Format	*	Example	Remarks
C516	<i>Monetary amount</i>	M			
5025	Monetary amount type code qualifier	M an..3	*	+77	77 = Invoice amount
5004	Monetary amount	R n..35		:10000	
6345	Currency identification code	R an..3		:EUR'	

Description:

Value and currency of total invoice amount

Example:

MOA+77:10000:EUR'

IFTMIN 1.1

Segments Layout

Segment **MOA** No.: 11 Level: 1 Monetary amount
 Status: C Max. occ.: 99

Description Grenzwert in CHF

Description of Segment:

	Description	St Format	*	Example	Remarks
C516	<i>Monetary amount</i>	M			
5025	Monetary amount type code qualifier	M an..3	*	+43	43 = Declared total Customs value
5004	Monetary amount	R n..35		:16000	
6345	Currency identification code	R an..3	*	:CHF'	

Description:

Total value of goods in CHF (border value)

Example:

MOA+43:16000:CHF'

IFTMIN 1.1

Segments Layout

Segment **FTX** No.: 12 Level: 1 **Free text**
 Status: C Max. occ.: 99

Description Nachnahmeinstruktionen

Description of Segment:

	Description	St Format	*	Example	Remarks
4451	Text subject code qualifier	M an..3	*	+DIN	DIN = Delivery instructions
4453	Free text function code	C an..3		+	
C107	<i>Text reference</i>	C			
4441	Free text value code	M an..17		+	
C108	<i>Text literal</i>	C			
4440	Free text value	M an..512		+Nachnahmeinstruktionen_1	
4440	Free text value	O an..512		: Nachnahmeinstruktionen_2	
4440	Free text value	O an..512		: Nachnahmeinstruktionen_3	
4440	Free text value	O an..512		: Nachnahmeinstruktionen_4	
4440	Free text value	O an..512		: Nachnahmeinstruktionen_5'	

Description:

Instructions for COD/CAD purposes

Example:

FTX+DIN+++Nachnahmeinstruktionen_1:Nachnahmeinstruktionen_2:Nachnahmeinstruktionen_3:Nachnahmeinstruktionen_4:Nachnahmeinstruktionen_5'

IFTMIN 1.1

Segments Layout

Segment **FTX** No.: 13 Level: 1 **Free text**
 Status: C Max. occ.: 99

Description **Versicherungsinstruktionen**

Description of Segment:

	Description	St Format	*	Example	Remarks
4451	Text subject code qualifier	M an..3	*	+IIN	IIN = Instructions for insurance puposes
4453	Free text function code	C an..3		+	
C107	<i>Text reference</i>	C			
4441	Free text value code	M an..17		+	
C108	<i>Text literal</i>	C			
4440	Free text value	M an..512		+Versicherungsinstruktionen_1	
4440	Free text value	O an..512		: Versicherungsinstruktionen_2	
4440	Free text value	O an..512		: Versicherungsinstruktionen_3	
4440	Free text value	O an..512		: Versicherungsinstruktionen_4	
4440	Free text value	O an..512		: Versicherungsinstruktionen_5'	

Description:

Instructions for insurance

Example:

FTX+IIN+++Versicherungsinstruktionen_1:Versicherungsinstruktionen_2:Versicherungsinstruktionen_3:Versicherungsinstruktionen_4:Versicherungsinstruktionen_5'

IFTMIN 1.1

Segments Layout

Segment **FTX** No.: 14 Level: 1 Free text
 Status: C Max. occ.: 99

Description Transportinstruktionen

Description of Segment:

	Description	St Format	*	Example	Remarks
4451	Text subject code qualifier	M an..3	*	+TRA	TRA = Instruction and information for transport
4453	Free text function code	C an..3		+	
C107	<i>Text reference</i>	C			
4441	Free text value code	M an..17		+	
C108	<i>Text literal</i>	C			
4440	Free text value	M an..512		+Transportinstruktionen_1	
4440	Free text value	O an..512		: Transportinstruktionen_2	
4440	Free text value	O an..512		: Transportinstruktionen_3	
4440	Free text value	O an..512		: Transportinstruktionen_4	
4440	Free text value	O an..512		: Transportinstruktionen_5'	

Description:

Transport instructions

Example:

FTX+TRA+++Transportinstruktionen_1:Transportinstruktionen_2:Transportinstruktionen_3:Transportinstruktionen_4:Transportinstruktionen_5'

IFTMIN 1.1

Segments Layout

Segment **CNT** No.: 15 Level: 1 Control total
 Status: R Max. occ.: 9

Description Kontrolle Gesamtbruttogewicht

Description of Segment:

	Description	St Format	*	Example	Remarks
C270	<i>Control</i>	M			
6069	Control total type code qualifier	M an..3	*	+7	7 = Total gross weight
6066	Control total value	M n..18		:200	
6411	Measurement unit code	O an..3		:KGM'	

Description:

Total of brut weight in this message (mandatory).

Example:

CNT+7:200:KGM'

IFTMIN 1.1

Segments Layout

Segment **CNT** No.: 16 Level: 1 Control total
 Status: C Max. occ.: 9

Description Kontrolle Gesamtnettogewicht

Description of Segment:

	Description	St Format	*	Example	Remarks
C270	<i>Control</i>	M			
6069	Control total type code qualifier	M an..3	*	+29	29 = Total net weight of consignment
6066	Control total value	M n..18		:180	
6411	Measurement unit code	O an..3		:KGM'	

Description:

Example:

CNT+29:180:KGM'

IFTMIN 1.1

Segments Layout

Segment **CNT** No.: 17 Level: 1 Control total
 Status: C Max. occ.: 9

Description Kontrolle Anzahl Packstücke

Description of Segment:

	Description	St Format	*	Example	Remarks
C270	<i>Control</i>	M			
6069	Control total type code qualifier	M an..3	*	+11	11 = Total number of packages
6066	Control total value	M n..18		:15'	

Description:

Example:

CNT+11:15'

IFTMIN 1.1

Segments Layout

Group	SG2	Status: C	Max. occ.: 2	Incoterms
Segment	TOD	No.: 18 Status: M	Level: 1 Max. occ.: 1	Terms of delivery or transport

Description Frankatur

Description of Segment:

	Description	St Format	*	Example	Remarks
4055	Delivery or transport terms function code	R an..3	*	+6	6 = Delivery condition
4215	Transport charges payment method code	N an..3		+	
C100	<i>Terms of delivery or transport</i>	R			
4053	Delivery or transport terms description code	R an..3		+CIF	
1131	Code list identification code	C an..17		:	
3055	Code list responsible agency code	C an..3		:	
4052	Delivery or transport terms description	C an..70		:1'	Contains the following codes for customs clearing/duties: 0 = uncleared, duty unpaid 1 = cleared, dutyp unpaid 2 = uncleared, duty paid 3 = cleared, duty paid Format an..1

Description:

Incoterm

Example:

TOD+6++CIF:::1'

IFTMIN 1.1

Segments Layout

Group **SG2** Status: C Max. occ.: 2 Incoterms

Segment **LOC** No.: 19 Level: 2 **Place/location identification**
 Status: C Max. occ.: 9

Description Frankatur-Ort

Description of Segment:

	Description	St Format	*	Example	Remarks
3227	Location function code qualifier	M an..3	*	+1	1 = Place of terms of delivery
C517	<i>Location identification</i>	C			
3225	Location name code	C an..25		+	
1131	Code list identification code	C an..17		:	
3055	Code list responsible agency code	C an..3		:	
3224	Location name	C an..256		: Blotzheim'	

Description:

Place of incoterm

Example:

LOC+1+:::Blotzheim'

IFTMIN 1.1

Segments Layout

Group **SG3** Status: C Max. occ.: 999 Shippers dossier number

Segment **RFF** No.: 20 Level: 1 Reference
Status: M Max. occ.: 1

Description Referenznummer des Versenders

Description of Segment:

	Description	St Format	*	Example	Remarks
C506	Reference	M			
1153	Reference code qualifier	M an..3	*	+UCN	UCN = Unique consignment reference number
1154	Reference identifier	R an..70		:76543'	Shippers reference number

Description:

Example:

RFF+UCN:76543'

IFTMIN 1.1

Segments Layout

Group **SG3** Status: C Max. occ.: 999 Shippers dossier number

Segment **DTM** No.: 21 Level: 2 Date/time/period
 Status: C Max. occ.: 9

Description Date/time/period

Description of Segment:

	Description	St Format	*	Example	Remarks
C507	<i>Date/time/period</i>	M			
2005	Date or time or period function code qualifier	M an..3	*	+171	171 = Reference date/time
2380	Date or time or period value	C an..35		: 2008121 71205	
2379	Date or time or period format code	C an..3		:203'	

Description:

Date of opening dossier

Example:

DTM+171:200812171205:203'

IFTMIN 1.1

Segments Layout

Group **SG3** Status: C Max. occ.: 999 Number of declaration e-dec Export

Segment **RFF** No.: 22 Level: 1 Reference
Status: M Max. occ.: 1

Description Referenznummer des Versenders

Description of Segment:

	Description	St Format	*	Example	Remarks
C506	Reference	M			
1153	Reference code qualifier	M an..3	*	+ABT	ABT = Customs declaration number Number of new export declaration e-dec Export (Ausfuhrliste)
1154	Reference identifier	R an..70		: 08CHEE0 0000050 6766.1'	Nummer der Ausfuhrliste (EDEC-Export)

Description:

Example:

RFF+ABT:08CHEE000000506766.1'

IFTMIN 1.1

Segments Layout

Group **SG3** Status: C Max. occ.: 999 Number of declaration e-dec Export

Segment **DTM** No.: 23 Level: 2 **Date/time/period**
 Status: C Max. occ.: 9

Description Date/time/period

Description of Segment:

	Description	St Format	*	Example	Remarks
C507	<i>Date/time/period</i>	M			
2005	Date or time or period function code qualifier	M an..3	*	+171	171 = Reference date/time
2380	Date or time or period value	C an..35		: 2008121 71205	
2379	Date or time or period format code	C an..3		:203'	

Description:

Date of customs declaration

Example:

DTM+171:200812171205:203'

IFTMIN 1.1

Segments Layout

Group **SG3** Status: C Max. occ.: 999 Airwaybill-Nummer

Segment **RFF** No.: 24 Level: 1 Reference
 Status: M Max. occ.: 1

Description Referenznummer des Versenders

Description of Segment:

	Description	St Format	*	Example	Remarks
C506	Reference	M			
1153	Reference code qualifier	M an..3	*	+AWB	AWB = Air waybill number
1154	Reference identifier	R an..70		:123399'	

Description:

Example:

RFF+AWB:123399'

IFTMIN 1.1

Segments Layout

Group **SG3** Status: C Max. occ.: 999 Master-Airwaybill-Nummer

Segment **RFF** No.: 25 Level: 1 Reference
 Status: M Max. occ.: 1

Description Referenznummer des Versenders

Description of Segment:

	Description	St Format	*	Example	Remarks
C506	Reference	M			
1153	Reference code qualifier	M an..3	*	+MWB	MWB = Master air waybill number
1154	Reference identifier	R an..70		:88334'	

Description:

Example:

RFF+MWB:88334'

IFTMIN 1.1

Segments Layout

Group **SG4** Status: C Max. occ.: 9 Details of exportclearance

Segment **GOR** No.: 26 Level: 1 **Governmental requirements**
 Status: M Max. occ.: 1

Description **Governmental requirements**

Description of Segment:

	Description	St Format	*	Example	Remarks
8323	Transport movement code	C an..3	*	+1'	1 = Export 2 = Import 3 = Transit

Description:

Example:

GOR+1'

IFTMIN 1.1

Segments Layout

Group	SG4	Status: C	Max. occ.: 9	Details of exportclearance
Group	SG5	Status: C	Max. occ.: 9	VAR permission number
Segment	DOC	No.: 27 Status: M	Level: 2 Max. occ.: 1	Document/message details

Description Document/message details

Description of Segment:

	Description	St Format	*	Example	Remarks
C002	<i>Document/message name</i>	M			
1001	Document name code	C an..3	*	+830	Code 830 = old VAR permission If there is in RFF+ABT a declaration number, this code may not be used. RFF+ABT = Export declaration is done already by the exporter. DOC+830 = Export with old VAR (no RFF+ABT and DOC+991) DOC+991 = TIN-number of exporter and order to clearance with e-dec Export (no RFF+ABT and DOC+830)
C503	<i>Document/message details</i>	C			
1004	Document identifier	C an..35		+4711/ 2008	Document identification with code 830 = VAR permission number with code 954 = EUR1 number with code 991 = TIN number (TraderIdentificationNumber)
1373	Document status code	C an..3	:	:	
1366	Document source description	C an..70	:	:St. Jakob'	Number of control customs office. Only when code 830 is filled.

Description:

Example:

DOC+830+4711/2008::St. Jakob'

IFTMIN 1.1

Segments Layout

Group	SG4	Status: C	Max. occ.: 9	Details of exportclearance
Group	SG5	Status: C	Max. occ.: 9	VAR permission number
Segment	DTM	No.: 28 Status: C	Level: 3 Max. occ.: 1	Date/time/period

Description Date of issue

Description of Segment:

	Description	St Format	*	Example	Remarks
C507	Date/time/period	M			
2005	Date or time or period function code qualifier	M an..3		+182	182 = Issue date
2380	Date or time or period value	C an..35		: 2008121 5	
2379	Date or time or period format code	C an..3	*	:102'	102 = CCYYMMDD

Description:

Example:

DTM+182:20081215:102'

IFTMIN 1.1

Segments Layout

Group	SG4	Status: C	Max. occ.: 9	Details of exportclearance
Group	SG5	Status: C	Max. occ.: 9	TIN number
Segment	DOC	No.: 29 Status: M	Level: 2 Max. occ.: 1	Document/message details

Description Document/message details

Description of Segment:

	Description	St Format	*	Example	Remarks
C002	<i>Document/message name</i>	M			
1001	Document name code	C an..3	*	+991	Code 991 = TIN-number of exporter and order for clearance with e-dec Export If there is in RFF+ABT a declaration number, this code may not be used.
C503	<i>Document/message details</i>	C			
1004	Document identifier	C an..35		+CH1195'	

Description:

Example:

DOC+991+CH1195'

IFTMIN 1.1

Segments Layout

Group	SG4	Status: C	Max. occ.: 9	Details of exportclearance
Group	SG5	Status: C	Max. occ.: 9	TIN number
Segment	DTM	No.: 30 Status: C	Level: 3 Max. occ.: 1	Date/time/period

Description Date

Description of Segment:

	Description	St Format	*	Example	Remarks
C507	<i>Date/time/period</i>	M			
2005	Date or time or period function code qualifier	M an..3		+182	182 = Issue date
2380	Date or time or period value	C an..35		: 2008121 5	
2379	Date or time or period format code	C an..3	*	:102'	102 = CCYYMMDD

Description:

Example:

DTM+182:20081215:102'

IFTMIN 1.1

Segments Layout

Group	SG4	Status: C	Max. occ.: 9	Details of exportclearance
Group	SG5	Status: C	Max. occ.: 9	EUR1 number
Segment	DOC	No.: 31 Status: M	Level: 2 Max. occ.: 1	Document/message details

Description Document/message details

Description of Segment:

	Description	St Format	*	Example	Remarks
C002	Document/message name	M			
1001	Document name code	C an..3	*	+954	Number of EUR.1
C503	Document/message details	C			
1004	Document identifier	C an..35		+Q 0045006'	

Description:

Example:

DOC+954+Q 0045006'

IFTMIN 1.1

Segments Layout

Group	SG4	Status: C	Max. occ.: 9	Details of exportclearance
Group	SG5	Status: C	Max. occ.: 9	EUR1 number
Segment	DTM	No.: 32 Status: C	Level: 3 Max. occ.: 1	Date/time/period

Description Date of issue

Description of Segment:

	Description	St Format	*	Example	Remarks
C507	Date/time/period	M			
2005	Date or time or period function code qualifier	M an..3		+182	182 = Issue date
2380	Date or time or period value	C an..35		: 2008121 5	
2379	Date or time or period format code	C an..3	*	:102'	102 = CCYYMMDD

Description:

Example:

DTM+182:20081215:102'

IFTMIN 1.1

Segments Layout

<i>Group</i>	SG4	Status: C	Max. occ.: 9	Details of exportclearance
<i>Group</i>	SG5	Status: C	Max. occ.: 9	Certificate of analysis
<i>Segment</i>	DOC	No.: 33 Status: M	Level: 2 Max. occ.: 1	Document/message details

Description Document/message details

Description of Segment:

	Description	St Format	*	Example	Remarks
C002	<i>Document/message name</i>	M			
1001	Document name code	C an..3	*	+1	Certificate of analysis
C503	<i>Document/message details</i>	C			
1004	Document identifier	C an..35		+A-123555'	

Description:

Example:

DOC+1+A-123555'

IFTMIN 1.1

Segments Layout

Group	SG4	Status: C	Max. occ.: 9	Details of exportclearance
Group	SG5	Status: C	Max. occ.: 9	Certificate of analysis
Segment	DTM	No.: 34 Status: C	Level: 3 Max. occ.: 1	Date/time/period

Description Date of issue

Description of Segment:

	Description	St Format	*	Example	Remarks
C507	<i>Date/time/period</i>	M			
2005	Date or time or period function code qualifier	M an..3		+182	182 = Issue date
2380	Date or time or period value	C an..35		: 2013110 1	
2379	Date or time or period format code	C an..3	*	:102'	102 = CCYYMMDD

Description:

Example:

DTM+182:20131101:102'

IFTMIN 1.1

Segments Layout

Group **SG8** Status: C Max. occ.: 99 Pre-carriage transport

Segment **TDT** No.: 35 Level: 1 Details of transport
 Status: M Max. occ.: 1

Description Details of transport

Description of Segment:

	Description	St Format	*	Example	Remarks
8051	Transport stage code qualifier	M an..3	*	+10	10 = Pre-carriage transport
8028	Means of transport journey identifier	C an..17		+	
C220	<i>Mode of transport</i>	C			
8067	Transport mode name code	C an..3	*	+30	10 = Maritime transport 20 = Rail transport 30 = Road transport 40 = Air transport
C228	<i>Transport means</i>	C			
8179	Transport means description code	C an..8		+	
8178	Transport means description	C an..17		:LKW'	

Description:

Example:

TDT+10++30+:LKW'

IFTMIN 1.1

Segments Layout

<i>Group</i>	SG8	Status: C	Max. occ.: 99	Pre-carriage transport
<i>Group</i>	SG9	Status: C	Max. occ.: 99	Pickup
<i>Segment</i>	LOC	No.: 36 Status: M	Level: 2 Max. occ.: 1	Place/location identification

Description Place/location identification

Description of Segment:

	Description	St Format	*	Example	Remarks
3227	Location function code qualifier	M an..3	*	+9	9 = Place/port of loading.
C517	<i>Location identification</i>	C			
3225	Location name code	C an..25		+	
1131	Code list identification code	C an..17		:	
3055	Code list responsible agency code	C an..3		:	
3224	Location name	C an..256		:Lausen'	

Description:
LOC+9=order for pickup or LOC+7=will be delivered; (mandatory)

Example:
LOC+9+:::Lausen'

IFTMIN 1.1

Segments Layout

<i>Group</i>	SG8	Status: C	Max. occ.: 99	Pre-carriage transport
<i>Group</i>	SG9	Status: C	Max. occ.: 99	Pickup
<i>Segment</i>	DTM	No.: 37 Status: C	Level: 3 Max. occ.: 9	Date/time/period

Description Date/time/period

Description of Segment:

	Description	St Format	*	Example	Remarks
C507	<i>Date/time/period</i>	M			
2005	Date or time or period function code qualifier	M an..3	*	+234	234 = Collection date/time, earliest
2380	Date or time or period value	C an..35		: 2008122 01000	
2379	Date or time or period format code	C an..3		:201'	

Description:

Example:

DTM+234:200812201000:201'

IFTMIN 1.1

Segments Layout

<i>Group</i>	SG8	Status: C	Max. occ.: 99	Pre-carriage transport
<i>Group</i>	SG9	Status: C	Max. occ.: 99	Delivered
<i>Segment</i>	LOC	No.: 38 Status: M	Level: 2 Max. occ.: 1	Place/location identification

Description Place/location identification

Description of Segment:

	Description	St Format	*	Example	Remarks
3227	Location function code qualifier	M an..3	*	+7	7 = Place of delivery
C517	<i>Location identification</i>	C			
3225	Location name code	C an..25		+	
1131	Code list identification code	C an..17		:	
3055	Code list responsible agency code	C an..3		:	
3224	Location name	C an..256		:UAG Basel'	

Description:

LOC+7=will be delivered to

Example:

LOC+7+:::UAG Basel'

IFTMIN 1.1

Segments Layout

<i>Group</i>	SG8	Status: C	Max. occ.: 99	Pre-carriage transport
<i>Group</i>	SG9	Status: C	Max. occ.: 99	Delivered
<i>Segment</i>	DTM	No.: 39 Status: C	Level: 3 Max. occ.: 9	Date/time/period

Description Date/time/period

Description of Segment:

	Description	St Format	*	Example	Remarks
C507	<i>Date/time/period</i>	M			
2005	Date or time or period function code qualifier	M an..3	*	+63	63 = Delivery date/time, latest Date of pickup or delivery(LOC+9 OR LOC+7)
2380	Date or time or period value	C an..35		: 2008122 01630	
2379	Date or time or period format code	C an..3		:201'	

Description:

Example:

DTM+63:200812201630:201'

IFTMIN 1.1

Segments Layout

Group	SG8	Status: C	Max. occ.: 99	Main-carriage transport
Segment	TDT	No.: 40 Status: M	Level: 1 Max. occ.: 1	Details of transport

Description Details of transport

Description of Segment:

	Description	St Format	*	Example	Remarks
8051	Transport stage code qualifier	M an..3	*	+20	20 = Main-carriage transport
8028	Means of transport journey identifier	C an..17		+	
C220	<i>Mode of transport</i>	C			
8067	Transport mode name code	C an..3	*	+10	10 = Maritime transport 20 = Rail transport 30 = Road transport 40 = Air transport
8066	Transport mode name	C an..17		:X	
C228	<i>Transport means</i>	C			
8179	Transport means description code	C an..8		+13	
8178	Transport means description	C an..17		:Ocean Vessel	
C040	<i>Carrier</i>	C			
3127	Carrier identifier	C an..17		+	
1131	Code list identification code	C an..17		:	
3055	Code list responsible agency code	C an..3		:	
3128	Carrier name	C an..35		:EAC-Ben	
8101	Transit direction indicator code	C an..3		+	
C401	<i>Excess transportation information</i>	C			
8457	Excess transportation reason code	M an..3		+	
C222	<i>Transport identification</i>	C			
8213	Transport means identification name identifier	C an..9		+	

IFTMIN 1.1

Segments Layout

	Description	St Format	*	Example	Remarks
1131	Code list identification code	C an..17		:	
3055	Code list responsible agency code	C an..3		:	
8212	Transport means identification name	C an..35		:CS Yokohama	
8453	Transport means nationality code	C an..3		:JP'	

Description:

Example:

TDT+20++10:X+13:Ocean Vessel+:::EAC-Ben++++:::CS Yokohama:JP'

IFTMIN 1.1

Segments Layout

<i>Group</i>	SG8	Status: C	Max. occ.: 99	Main-carriage transport
<i>Group</i>	SG9	Status: C	Max. occ.: 99	Departure
<i>Segment</i>	LOC	No.: 41 Status: M	Level: 2 Max. occ.: 1	Place/location identification

Description Place/location identification

Description of Segment:

	Description	St Format	*	Example	Remarks
3227	Location function code qualifier	M an..3	*	+5	5 = Place of departure
C517	<i>Location identification</i>	C			
3225	Location name code	C an..25		+	
1131	Code list identification code	C an..17		:	
3055	Code list responsible agency code	C an..3		:	
3224	Location name	C an..256		: Rotterda m'	

Description:

Example:

LOC+5+:::Rotterdam'

IFTMIN 1.1

Segments Layout

<i>Group</i>	SG8	Status: C	Max. occ.: 99	Main-carriage transport
<i>Group</i>	SG9	Status: C	Max. occ.: 99	Departure
<i>Segment</i>	DTM	No.: 42 Status: C	Level: 3 Max. occ.: 9	Date/time/period

Description Date/time/period

Description of Segment:

	Description	St Format	*	Example	Remarks
C507	<i>Date/time/period</i>	M			
2005	Date or time or period function code qualifier	M an..3	*	+133	
2380	Date or time or period value	C an..35		: 1992020 2	
2379	Date or time or period format code	C an..3	*	:102'	

Description:

Example:

DTM+133:19920202:102'

IFTMIN 1.1

Segments Layout

<i>Group</i>	SG8	Status: C	Max. occ.: 99	Main-carriage transport
<i>Group</i>	SG9	Status: C	Max. occ.: 99	Arrival
<i>Segment</i>	LOC	No.: 43 Status: M	Level: 2 Max. occ.: 1	Place/location identification

Description Place/location identification

Description of Segment:

	Description	St Format	*	Example	Remarks
3227	Location function code qualifier	M an..3	*	+8	8 = Place of destination
C517	<i>Location identification</i>	C			
3225	Location name code	C an..25		+	
1131	Code list identification code	C an..17		:	
3055	Code list responsible agency code	C an..3		:	
3224	Location name	C an..256		: Hongkon g'	

Description:

Example:

LOC+8+:::Hongkong'

IFTMIN 1.1

Segments Layout

<i>Group</i>	SG8	Status: C	Max. occ.: 99	Main-carriage transport
<i>Group</i>	SG9	Status: C	Max. occ.: 99	Arrival
<i>Segment</i>	DTM	No.: 44 Status: C	Level: 3 Max. occ.: 9	Date/time/period

Description Date/time/period

Description of Segment:

	Description	St Format	*	Example	Remarks
C507	<i>Date/time/period</i>	M			
2005	Date or time or period function code qualifier	M an..3	*	+63	63 = Delivery date/time, latest
2380	Date or time or period value	C an..35		: 1992020 2	
2379	Date or time or period format code	C an..3	*	:102'	

Description:

Example:

DTM+63:19920202:102'

IFTMIN 1.1

Segments Layout

<i>Group</i>	SG8	Status: C	Max. occ.: 99	Main-carriage transport
<i>Group</i>	SG9	Status: C	Max. occ.: 99	Arrival
<i>Segment</i>	DTM	No.: 45 Status: C	Level: 3 Max. occ.: 9	Date/time/period

Description Date/time/period

Description of Segment:

	Description	St Format	*	Example	Remarks
C507	<i>Date/time/period</i>	M			
2005	Date or time or period function code qualifier	M an..3	*	+132	
2380	Date or time or period value	C an..35		: 1992020 2	
2379	Date or time or period format code	C an..3	*	:102'	

Description:

Example:

DTM+132:19920202:102'

IFTMIN 1.1

Segments Layout

Group **SG8** Status: C Max. occ.: 99 On-carriage transport

Segment **TDT** No.: 46 Level: 1 Details of transport
Status: M Max. occ.: 1

Description Details of transport

Description of Segment:

	Description	St Format	*	Example	Remarks
8051	Transport stage code qualifier	M an..3	*	+30	30 = On-carriage transport
8028	Means of transport journey identifier	C an..17		+	
C220	<i>Mode of transport</i>	C			
8067	Transport mode name code	C an..3	*	+40	10 = Maritime transport 20 = Rail transport 30 = Road transport 40 = Air transport
C228	<i>Transport means</i>	C			
8179	Transport means description code	C an..8		+	
C040	<i>Carrier</i>	C			
3127	Carrier identifier	C an..17		+AA	
1131	Code list identification code	C an..17		:	
3055	Code list responsible agency code	C an..3		:3	3 = IATA (International Air Transport Association)
3128	Carrier name	C an..35		: American Airlines	
8101	Transit direction indicator code	C an..3		+	
C401	<i>Excess transportation information</i>	C			
8457	Excess transportation reason code	M an..3		+	
C222	<i>Transport identification</i>	C			
8213	Transport means identification name identifier	C an..9		+AA134	
1131	Code list identification	C an..17		:	

IFTMIN 1.1

Segments Layout

	Description	St Format	*	Example	Remarks
3055	code Code list responsible agency code	C an..3		:3'	3 = IATA (International Air Transport Association)

Description:

Example:

TDT+30++40++AA::3:American Airlines+++AA134::3'

IFTMIN 1.1

Segments Layout

<i>Group</i>	SG8	Status: C	Max. occ.: 99	On-carriage transport
<i>Group</i>	SG9	Status: C	Max. occ.: 99	Departure
<i>Segment</i>	LOC	No.: 47 Status: M	Level: 2 Max. occ.: 1	Place/location identification

Description Place/location identification

Description of Segment:

	Description	St Format	*	Example	Remarks
3227	Location function code qualifier	M an..3	*	+9	9 = Place/port of loading.
C517	<i>Location identification</i>	C			
3225	Location name code	C an..25		+NYC	
1131	Code list identification code	C an..17		:	
3055	Code list responsible agency code	C an..3		:3'	3 = IATA (International Air Transport Association)

Description:

Example:

LOC+9+NYC::3'

IFTMIN 1.1

Segments Layout

<i>Group</i>	SG8	Status: C	Max. occ.: 99	On-carriage transport
<i>Group</i>	SG9	Status: C	Max. occ.: 99	Arrival
<i>Segment</i>	LOC	No.: 48 Status: M	Level: 2 Max. occ.: 1	Place/location identification

Description Place/location identification

Description of Segment:

	Description	St Format	*	Example	Remarks
3227	Location function code qualifier	M an..3	*	+11	11 = Place/port of discharge
C517	<i>Location identification</i>	C			
3225	Location name code	C an..25		+DAL	
1131	Code list identification code	C an..17		:	
3055	Code list responsible agency code	C an..3		:3'	3 = IATA (International Air Transport Association)

Description:

Example:

LOC+11+DAL::3'

IFTMIN 1.1

Segments Layout

<i>Group</i>	SG8	Status: C	Max. occ.: 99	On-carriage transport
<i>Group</i>	SG9	Status: C	Max. occ.: 99	Arrival
<i>Segment</i>	DTM	No.: 49 Status: C	Level: 3 Max. occ.: 9	Date/time/period

Description Date/time/period

Description of Segment:

	Description	St Format	*	Example	Remarks
C507	<i>Date/time/period</i>	M			
2005	Date or time or period function code qualifier	M an..3	*	+63	63 = Delivery date/time, latest
2380	Date or time or period value	C an..35		: 2009012 00900	
2379	Date or time or period format code	C an..3		:201'	

Description:

Example:

DTM+63:200901200900:201'

IFTMIN 1.1

Segments Layout

Group	SG11	Status: M	Max. occ.: 99	Shipper
Segment	NAD	No.: 50 Status: M	Level: 1 Max. occ.: 1	Name and address

Description Identifikation der Versandstelle

Description of Segment:

	Description	St Format	*	Example	Remarks
3035	Party function code qualifier	M an..3	*	+CZ	CZ = Consignor
C082	<i>Party identification details</i>	A			
3039	Party identifier	M an..35		+761234 5888019	
1131	Code list identification code	N an..17		:	
3055	Code list responsible agency code	R an..3		:9	9 = EAN (International Article Numbering Association)
C058	<i>Name and address</i>	N			
3124	Name and address description	M an..35		+	
C080	<i>Party name</i>	D			
3036	Party name	M an..35		+Shipper Name_1	
3036	Party name	O an..35		:	ShipperN ame_2
3036	Party name	C an..35		:	ShipperN ame_3
C059	<i>Street</i>	D			
3042	Street and number or post office box identifier	M an..35		+Shipper Street	
3164	City name	D an..35		+Shipper City	
C819	<i>Country sub-entity details</i>	D			
3229	Country sub-entity name code	O an..9		+	
3251	Postal identification code	D an..17		+4000	
3207	Country name code	D an..3		+CH'	

IFTMIN **1.1**

Segments Layout

Description:

Example:

NAD+CZ+7612345888019::9++ShipperName_1:ShipperName_2:ShipperName_3+ShipperStreet+ShipperCity++4000+CH'

IFTMIN 1.1

Segments Layout

<i>Group</i>	SG11	Status: M	Max. occ.: 99	Shipper
<i>Group</i>	SG12	Status: C	Max. occ.: 9	Kontakt details
<i>Segment</i>	CTA	No.: 51 Status: M	Level: 2 Max. occ.: 1	Contact information

Description Contact information

Description of Segment:

	Description	St Format	*	Example	Remarks
3139	Contact function code	R an..3	*	+IC	IC = Informationsstelle
C056	<i>Department or employee details</i>	O			
3413	Department or employee name code	O an..17		+	
3412	Department or employee name	O an..35		:Kontakt Shipper'	

Description:

Example:

CTA+IC+:Kontakt Shipper'

IFTMIN 1.1

Segments Layout

<i>Group</i>	SG11	Status: M	Max. occ.: 99	Shipper
<i>Group</i>	SG12	Status: C	Max. occ.: 9	Kontaktdetails
<i>Segment</i>	COM	No.: 52 Status: C	Level: 3 Max. occ.: 9	Communication contact

Description Communication contact

Description of Segment:

	Description	St Format	*	Example	Remarks
C076	<i>Communication contact</i>	M			
3148	Communication address identifier	M an..512		+?+4161 7008812	
3155	Communication address code qualifier	M an..3	*	:TE'	TE = Telephone FX = Fax EM = Electronic mail TL = Telex

Description:

Example:

COM+?+41617008812:TE'

IFTMIN 1.1

Segments Layout

Group	SG11	Status: M	Max. occ.: 99	Shipper
Group	SG13	Status: C	Max. occ.: 9	Dokumente
Segment	DOC	No.: 53 Status: M	Level: 2 Max. occ.: 1	Document/message details

Description Document/message details

Description of Segment:

	Description	St Format	*	Example	Remarks
C002	<i>Document/message name</i>	M			
1001	Document name code	C an..3		+706	706 = Bill of lading original 707 = Bill of lading copy
1131	Code list identification code	C an..17		:	
3055	Code list responsible agency code	C an..3		:	
1000	Document name	C an..35		:Original B/L	
C503	<i>Document/message details</i>	C			
1004	Document identifier	C an..35		+	
1373	Document status code	C an..3		:	
1366	Document source description	C an..70		:mit Fahrer	
3153	Communication medium type code	C an..3		+	
1220	Document copies required quantity	C n..2		+1'	

Description:

Number of documents to send back to the shipper.

Example:

DOC+706:::Original B/L+::mit Fahrer++1'

IFTMIN 1.1

Segments Layout

<i>Group</i>	SG11	Status: M	Max. occ.: 99	Shipper
<i>Group</i>	SG15	Status: C	Max. occ.: 9	MwSt-Nummer
<i>Segment</i>	RFF	No.: 54 Status: M	Level: 2 Max. occ.: 1	Reference

Description Zusatzidentifikation Versender

Description of Segment:

	Description	St Format	*	Example	Remarks
C506	<i>Reference</i>	M			
1153	Reference code qualifier	M an..3	*	+VA	VA = VAT registration number
1154	Reference identifier	R an..70		:8753333'	

Description:

Example:

RFF+VA:8753333'

IFTMIN 1.1

Segments Layout

<i>Group</i>	SG11	Status: M	Max. occ.: 99	Shipper
<i>Group</i>	SG15	Status: C	Max. occ.: 9	TIN-Nummer
<i>Segment</i>	RFF	No.: 55 Status: M	Level: 2 Max. occ.: 1	Reference

Description Zusatzidentifikation Versender

Description of Segment:

	Description	St Format	*	Example	Remarks
C506	<i>Reference</i>	M			
1153	Reference code qualifier	M an..3	*	+GN	GN = Government reference number
1154	Reference identifier	R an..70		: CH53399 4'	TIN number

Description:

Example:

RFF+GN:CH533994'

IFTMIN 1.1

Segments Layout

<i>Group</i>	SG11	Status: M	Max. occ.: 99	Shipper
<i>Group</i>	SG15	Status: C	Max. occ.: 9	EORI number
<i>Segment</i>	RFF	No.: 56 Status: M	Level: 2 Max. occ.: 1	Reference

Description Zusatzidentifikation Versender

Description of Segment:

	Description	St Format	*	Example	Remarks
C506	<i>Reference</i>	M			
1153	Reference code qualifier	M an..3	*	+XA	XA = Company/place registration number EORI-number (for ex. Germany)
1154	Reference identifier	R an..70		:DE4711'	

Description:

Example:

RFF+XA:DE4711'

IFTMIN 1.1

Segments Layout

Group **SG11** Status: M Max. occ.: 99 Freight Forwarder

Segment **NAD** No.: 57 Level: 1 Name and address
Status: M Max. occ.: 1

Description Identifikation der Versandstelle

Description of Segment:

	Description	St Format	*	Example	Remarks
3035	Party function code qualifier	M an..3	*	+FW	FW = Freight forwarder
C082	<i>Party identification details</i>	A			
3039	Party identifier	M an..35		+761234 5888026	
1131	Code list identification code	N an..17		:	
3055	Code list responsible agency code	R an..3		:9	9 = EAN (International Article Numbering Association)
C058	<i>Name and address</i>	N			
3124	Name and address description	M an..35		+	
C080	<i>Party name</i>	D			
3036	Party name	M an..35		+Freight Forwarder rName_1	
3036	Party name	O an..35		: FreightF orwarder Name_2	
3036	Party name	C an..35		: FreightF orwarder Name_3	
C059	<i>Street</i>	D			
3042	Street and number or post office box identifier	M an..35		+Freight Forwarder rStreet	
3164	City name	D an..35		+Freight Forwarder rCity	
C819	<i>Country sub-entity details</i>	D			
3229	Country sub-entity name	O an..9		+	

IFTMIN 1.1

Segments Layout

	Description	St Format	*	Example	Remarks
3251	code Postal identification code	D an..17		+5000	
3207	Country name code	D an..3		+CH'	

Description:

Example:

NAD+FW+7612345888026::9++FreightForwarderName_1:FreightForwarderName_2:FreightForwarderName_3+FreightForwarderStreet+FreightForwarderCity++5000+CH'

IFTMIN 1.1

Segments Layout

Group	SG11	Status: M	Max. occ.: 99	Freight Forwarder
Group	SG12	Status: C	Max. occ.: 9	Kontakt details
Segment	CTA	No.: 58 Status: M	Level: 2 Max. occ.: 1	Contact information

Description Contact information

Description of Segment:

	Description	St Format	*	Example	Remarks
3139	Contact function code	R an..3	*	+IC	IC = Informationsstelle
C056	<i>Department or employee details</i>	O			
3413	Department or employee name code	O an..17		+	
3412	Department or employee name	O an..35		:Kontakt FreightForwarder'	

Description:

Example:

CTA+IC+:Kontakt FreightForwarder'

IFTMIN 1.1

Segments Layout

<i>Group</i>	SG11	Status: M	Max. occ.: 99	Freight Forwarder
<i>Group</i>	SG12	Status: C	Max. occ.: 9	Kontaktdetails
<i>Segment</i>	COM	No.: 59 Status: C	Level: 3 Max. occ.: 9	Communication contact

Description Communication contact

Description of Segment:

	Description	St Format	*	Example	Remarks
C076	<i>Communication contact</i>	M			
3148	Communication address identifier	M an..512		+211332	
3155	Communication address code qualifier	M an..3	*	:TE'	TE = Telephone FX = Fax EM = Electronic mail TL = Telex

Description:

Example:

COM+211332:TE'

IFTMIN 1.1

Segments Layout

Group	SG11	Status: M	Max. occ.: 99	Freight Forwarder
Group	SG13	Status: C	Max. occ.: 9	Dokumente
Segment	DOC	No.: 60 Status: M	Level: 2 Max. occ.: 1	Document/message details

Description Document/message details

Description of Segment:

	Description	St Format	*	Example	Remarks
C002	<i>Document/message name</i>	M			
1001	Document name code	C an..3		+861	861 = Certificate of origin 380 = Commercial invoice 811 = Export licence 706 = Bill of lading original 707 = Bill of lading copy List of all accompanying documents for the FreightForwarder.
1131	Code list identification code	C an..17		:	
3055	Code list responsible agency code	C an..3		:	
1000	Document name	C an..35		:	Certificate of Origin
C503	<i>Document/message details</i>	C			
1004	Document identifier	C an..35		+12345	
1373	Document status code	C an..3		:5	5 = Information only 6 = To arrive by manual means 9 = To be printed With code 9 in field 1366 there must be the filename (URL). In FW is defined, what docs he will get from CZ. In CZ etc. is defined, what docs they want to have back.
1366	Document source description	C an..70		:mit Fahrer	
3153	Communication medium type code	C an..3		+	
1220	Document copies required	C n..2		+1'	

IFTMIN 1.1

Segments Layout

	Description	St Format	*	Example	Remarks
	quantity				

Description:

Example:

DOC+861:::Certificate of Origin+12345:5:mit Fahrer++1'

IFTMIN 1.1

Segments Layout

Group	SG11	Status: C	Max. occ.: 99	Despatch Party
Segment	NAD	No.: 61 Status: M	Level: 1 Max. occ.: 1	Name and address

Description Identifikation der Versandstelle

Description of Segment:

	Description	St Format	*	Example	Remarks
3035	Party function code qualifier	M an..3	*	+PW	PW = Despatch party
C082	<i>Party identification details</i>	A			
3039	Party identifier	M an..35		+761234 5888033	
1131	Code list identification code	N an..17		:	
3055	Code list responsible agency code	R an..3		:9	9 = EAN (International Article Numbering Association)
C058	<i>Name and address</i>	N			
3124	Name and address description	M an..35		+	
C080	<i>Party name</i>	D			
3036	Party name	M an..35		+DespatchPartyName_1	
3036	Party name	O an..35		: DespatchPartyName_2	
3036	Party name	C an..35		: DespatchPartyName_3	
C059	<i>Street</i>	D			
3042	Street and number or post office box identifier	M an..35		+DespatchPartyStreet	
3164	City name	D an..35		+DespatchPartyCity	
C819	<i>Country sub-entity details</i>	D			
3229	Country sub-entity name	O an..9		+	

IFTMIN 1.1

Segments Layout

	Description	St Format	*	Example	Remarks
3251	code Postal identification code	D an..17		+8000	
3207	Country name code	D an..3		+CH'	

Description:

Example:

NAD+PW+7612345888033::9++DespatchPartyName_1:DespatchPartyName_2:DespatchPartyName_3+DespatchPartyStreet+DespatchPartyCity++8000+CH'

IFTMIN 1.1

Segments Layout

<i>Group</i>	SG11	Status: C	Max. occ.: 99	Despatch Party
<i>Group</i>	SG12	Status: C	Max. occ.: 9	Kontakt details
<i>Segment</i>	CTA	No.: 62 Status: M	Level: 2 Max. occ.: 1	Contact information

Description Contact information

Description of Segment:

	Description	St Format	*	Example	Remarks
3139	Contact function code	R an..3	*	+IC	IC = Informationsstelle
C056	<i>Department or employee details</i>	O			
3413	Department or employee name code	O an..17		+	
3412	Department or employee name	O an..35		:Kontakt Despatch Party'	

Description:

Example:

CTA+IC+:Kontakt DespatchParty'

IFTMIN 1.1

Segments Layout

<i>Group</i>	SG11	Status: C	Max. occ.: 99	Despatch Party
<i>Group</i>	SG12	Status: C	Max. occ.: 9	Kontaktdetails
<i>Segment</i>	COM	No.: 63 Status: C	Level: 3 Max. occ.: 9	Communication contact

Description Communication contact

Description of Segment:

	Description	St Format	*	Example	Remarks
C076	<i>Communication contact</i>	M			
3148	Communication address identifier	M an..512		+?+4118 771233	
3155	Communication address code qualifier	M an..3	*	:TE'	TE = Telephone FX = Fax EM = Electronic mail TL = Telex

Description:

Example:

COM+?+4118771233:TE'

IFTMIN 1.1

Segments Layout

Group	SG11	Status: C	Max. occ.: 99	Despatch Party
Group	SG13	Status: C	Max. occ.: 9	Dokumente
Segment	DOC	No.: 64 Status: M	Level: 2 Max. occ.: 1	Document/message details

Description Document/message details

Description of Segment:

	Description	St Format	*	Example	Remarks
C002	<i>Document/message name</i>	M			
1001	Document name code	C an..3		+707	707 = Bill of lading copy
1131	Code list identification code	C an..17		:	
3055	Code list responsible agency code	C an..3		:	
1000	Document name	C an..35		:B/L Kopie	
C503	<i>Document/message details</i>	C			
1004	Document identifier	C an..35		+	
1373	Document status code	C an..3		:	
1366	Document source description	C an..70		:mit Fahrer	
3153	Communication medium type code	C an..3		+	
1220	Document copies required quantity	C n..2		+3'	

Description:

Example:

DOC+707:::B/L Kopie+::mit Fahrer++3'

IFTMIN 1.1

Segments Layout

Group	SG11	Status: C	Max. occ.: 99	Buyer
Segment	NAD	No.: 65 Status: M	Level: 1 Max. occ.: 1	Name and address

Description Identifikation der Versandstelle

Description of Segment:

	Description	St Format	*	Example	Remarks
3035	Party function code qualifier	M an..3	*	+BY	BY = Buyer
C082	<i>Party identification details</i>	A			
3039	Party identifier	M an..35		+761234 5888040	
1131	Code list identification code	N an..17		:	
3055	Code list responsible agency code	R an..3		:9	9 = EAN (International Article Numbering Association)
C058	<i>Name and address</i>	N			
3124	Name and address description	M an..35		+	
C080	<i>Party name</i>	D			
3036	Party name	M an..35		+BuyerName_1	
3036	Party name	O an..35		: BuyerName_2	
3036	Party name	C an..35		: BuyerName_3	
C059	<i>Street</i>	D			
3042	Street and number or post office box identifier	M an..35		+BuyerStreet	
3164	City name	D an..35		+BuyerCity	
C819	<i>Country sub-entity details</i>	D			
3229	Country sub-entity name code	O an..9		+	
3251	Postal identification code	D an..17		+3000	
3207	Country name code	D an..3		+DE'	

IFTMIN **1.1**

Segments Layout

Description:

Example:

NAD+BY+7612345888040::9++BuyerName_1:BuyerName_2:BuyerName_3+BuyerStreet+BuyerCity++3000+DE'

IFTMIN 1.1

Segments Layout

Group	SG11	Status: C	Max. occ.: 99	Buyer
Group	SG12	Status: C	Max. occ.: 9	Kontakt details
Segment	CTA	No.: 66 Status: M	Level: 2 Max. occ.: 1	Contact information

Description Contact information

Description of Segment:

	Description	St Format	*	Example	Remarks
3139	Contact function code	R an..3	*	+IC	IC = Informationsstelle
C056	<i>Department or employee details</i>	O			
3413	Department or employee name code	O an..17		+	
3412	Department or employee name	O an..35		:Kontakt Buyer'	

Description:

Example:

CTA+IC+:Kontakt Buyer'

IFTMIN 1.1

Segments Layout

<i>Group</i>	SG11	Status: C	Max. occ.: 99	Buyer
<i>Group</i>	SG12	Status: C	Max. occ.: 9	Kontaktdetails
<i>Segment</i>	COM	No.: 67 Status: C	Level: 3 Max. occ.: 9	Communication contact

Description Communication contact

Description of Segment:

	Description	St Format	*	Example	Remarks
C076	<i>Communication contact</i>	M			
3148	Communication address identifier	M an..512		+004173 8153400	
3155	Communication address code qualifier	M an..3	*	:TE'	TE = Telephone FX = Fax EM = Electronic mail TL = Telex

Description:

Example:

COM+0041738153400:TE'

IFTMIN 1.1

Segments Layout

<i>Group</i>	SG11	Status: C	Max. occ.: 99	Buyer
<i>Group</i>	SG13	Status: C	Max. occ.: 9	Dokumente
<i>Segment</i>	DOC	No.: 68 Status: M	Level: 2 Max. occ.: 1	Document/message details

Description Document/message details

Description of Segment:

	Description	St Format	*	Example	Remarks
C002	<i>Document/message name</i>	M			
1001	Document name code	C an..3		+706	706 = Bill of lading original 707 = Bill of lading copy
1131	Code list identification code	C an..17		:	
3055	Code list responsible agency code	C an..3		:	
1000	Document name	C an..35		:Original B/L	
C503	<i>Document/message details</i>	C			
1004	Document identifier	C an..35		+	
1373	Document status code	C an..3		:	
1366	Document source description	C an..70		:mit Fahrer	
3153	Communication medium type code	C an..3		+	
1220	Document copies required quantity	C n..2		+1'	

Description:

Number and type of documents send to.

Example:

DOC+706:::Original B/L+::mit Fahrer++1'

IFTMIN 1.1

Segments Layout

Group	SG11	Status: C	Max. occ.: 99	Consignee
Segment	NAD	No.: 69 Status: M	Level: 1 Max. occ.: 1	Name and address

Description Identifikation der Versandstelle

Description of Segment:

	Description	St Format	*	Example	Remarks
3035	Party function code qualifier	M an..3	*	+CN	CN = Consignee
C082	<i>Party identification details</i>	A			
3039	Party identifier	M an..35		+761234 5888057	
1131	Code list identification code	N an..17		:	
3055	Code list responsible agency code	R an..3		:9	9 = EAN (International Article Numbering Association)
C058	<i>Name and address</i>	N			
3124	Name and address description	M an..35		+	
C080	<i>Party name</i>	D			
3036	Party name	M an..35		+ConsigneeName_1	
3036	Party name	O an..35		: ConsigneeName_2	
3036	Party name	C an..35		: ConsigneeName_3	
C059	<i>Street</i>	D			
3042	Street and number or post office box identifier	M an..35		+ConsigneeStreet	
3164	City name	D an..35		+ConsigneeCity	
C819	<i>Country sub-entity details</i>	D			
3229	Country sub-entity name code	O an..9		+	
3251	Postal identification code	D an..17		+1000	

IFTMIN 1.1

Segments Layout

	Description	St Format	*	Example	Remarks
3207	Country name code	D an..3		+CH'	

Description:

Example:

NAD+CN+7612345888057::9++ConsigneeName_1:ConsigneeName_2:ConsigneeName_3+ConsigneeStreet+ConsigneeCity++1000+CH'

IFTMIN 1.1

Segments Layout

Group	SG11	Status: C	Max. occ.: 99	Consignee
Group	SG12	Status: C	Max. occ.: 9	Kontakt details
Segment	CTA	No.: 70 Status: M	Level: 2 Max. occ.: 1	Contact information

Description Contact information

Description of Segment:

	Description	St Format	*	Example	Remarks
3139	Contact function code	R an..3	*	+IC	IC = Informationsstelle
C056	<i>Department or employee details</i>	O			
3413	Department or employee name code	O an..17		+	
3412	Department or employee name	O an..35		:Kontakt Consignee'	

Description:

Example:

CTA+IC+:Kontakt Consignee'

IFTMIN 1.1

Segments Layout

<i>Group</i>	SG11	Status: C	Max. occ.: 99	Consignee
<i>Group</i>	SG12	Status: C	Max. occ.: 9	Kontakt details
<i>Segment</i>	COM	No.: 71 Status: C	Level: 3 Max. occ.: 9	Communication contact

Description Communication contact

Description of Segment:

	Description	St Format	*	Example	Remarks
C076	<i>Communication contact</i>	M			
3148	Communication address identifier	M an..512		+004121 9763233	
3155	Communication address code qualifier	M an..3	*	:TE'	TE = Telephone FX = Fax EM = Electronic mail TL = Telex

Description:

Example:

COM+0041219763233:TE'

IFTMIN 1.1

Segments Layout

Group	SG11	Status: C	Max. occ.: 99	Consignee
Group	SG13	Status: C	Max. occ.: 9	Dokumente
Segment	DOC	No.: 72 Status: M	Level: 2 Max. occ.: 1	Document/message details

Description Document/message details

Description of Segment:

	Description	St Format	*	Example	Remarks
C002	<i>Document/message name</i>	M			
1001	Document name code	C an..3		+706	706 = Bill of lading original 707 = Bill of lading copy
1131	Code list identification code	C an..17		:	
3055	Code list responsible agency code	C an..3		:	
1000	Document name	C an..35		:Original B/L	
C503	<i>Document/message details</i>	C			
1004	Document identifier	C an..35		+	
1373	Document status code	C an..3		:	
1366	Document source description	C an..70		:mit Fahrer	
3153	Communication medium type code	C an..3		+	
1220	Document copies required quantity	C n..2		+1'	

Description:

Number and type of documents send to.

Example:

DOC+706:::Original B/L+::mit Fahrer++1'

IFTMIN 1.1

Segments Layout

Group	SG11	Status: C	Max. occ.: 99	Buyer's bank
Segment	NAD	No.: 73 Status: M	Level: 1 Max. occ.: 1	Name and address

Description Identifikation der Versandstelle

Description of Segment:

	Description	St Format	*	Example	Remarks
3035	Party function code qualifier	M an..3	*	+BB	Kein EANCOM Code
C082	<i>Party identification details</i>	A			
3039	Party identifier	M an..35		+761234 5888064	
1131	Code list identification code	N an..17		:	
3055	Code list responsible agency code	R an..3		:9	9 = EAN (International Article Numbering Association)
C058	<i>Name and address</i>	N			
3124	Name and address description	M an..35		+	
C080	<i>Party name</i>	D			
3036	Party name	M an..35		+BuyersB ankName _1	
3036	Party name	O an..35		:	BuyersBa nkName_ 2
3036	Party name	C an..35		:	BuyersBa nkName_ 3
C059	<i>Street</i>	D			
3042	Street and number or post office box identifier	M an..35		+BuyersB ankStreet	
3164	City name	D an..35		+BuyersB ankCity	
C819	<i>Country sub-entity details</i>	D			
3229	Country sub-entity name code	O an..9		+	

IFTMIN 1.1

Segments Layout

	Description	St Format	*	Example	Remarks
3251	Postal identification code	D an..17		+2000	
3207	Country name code	D an..3		+CH'	

Description:

Example:

NAD+BB+7612345888064::9++BuyersBankName_1:BuyersBankName_2:BuyersBankName_3+BuyersBankStreet+BuyersBankCity++2000+CH'

IFTMIN 1.1

Segments Layout

Group	SG11	Status: C	Max. occ.: 99	Buyer's bank
Group	SG12	Status: C	Max. occ.: 9	Kontakt details
Segment	CTA	No.: 74 Status: M	Level: 2 Max. occ.: 1	Contact information

Description Contact information

Description of Segment:

	Description	St Format	*	Example	Remarks
3139	Contact function code	R an..3	*	+IC	IC = Informationsstelle
C056	<i>Department or employee details</i>	O			
3413	Department or employee name code	O an..17		+	
3412	Department or employee name	O an..35		:Kontakt BuyersBank'	

Description:

Example:

CTA+IC+:Kontakt BuyersBank'

IFTMIN 1.1

Segments Layout

<i>Group</i>	SG11	Status: C	Max. occ.: 99	Buyer's bank
<i>Group</i>	SG12	Status: C	Max. occ.: 9	Kontaktdetails
<i>Segment</i>	COM	No.: 75 Status: C	Level: 3 Max. occ.: 9	Communication contact

Description Communication contact

Description of Segment:

	Description	St Format	*	Example	Remarks
C076	<i>Communication contact</i>	M			
3148	Communication address identifier	M an..512		+0041218339373	
3155	Communication address code qualifier	M an..3	*	:TE'	TE = Telephone FX = Fax EM = Electronic mail TL = Telex

Description:

Example:

COM+0041218339373:TE'

IFTMIN 1.1

Segments Layout

<i>Group</i>	SG11	Status: C	Max. occ.: 99	Buyer's bank
<i>Group</i>	SG13	Status: C	Max. occ.: 9	Dokumente
<i>Segment</i>	DOC	No.: 76 Status: M	Level: 2 Max. occ.: 1	Document/message details

Description Document/message details

Description of Segment:

	Description	St Format	*	Example	Remarks
C002	<i>Document/message name</i>	M			
1001	Document name code	C an..3		+706	706 = Bill of lading original 707 = Bill of lading copy
1131	Code list identification code	C an..17		:	
3055	Code list responsible agency code	C an..3		:	
1000	Document name	C an..35		:Original B/L	
C503	<i>Document/message details</i>	C			
1004	Document identifier	C an..35		+	
1373	Document status code	C an..3		:	
1366	Document source description	C an..70		:mit Fahrer	
3153	Communication medium type code	C an..3		+	
1220	Document copies required quantity	C n..2		+1'	

Description:

Number and type of documents send to.

Example:

DOC+706:::Original B/L+::mit Fahrer++1'

IFTMIN 1.1

Segments Layout

Group **SG11** Status: C Max. occ.: 99 Customs broker

Segment **NAD** No.: 77 Level: 1 Name and address
Status: M Max. occ.: 1

Description Identifikation der Versandstelle

Description of Segment:

	Description	St Format	*	Example	Remarks
3035	Party function code qualifier	M an..3	*	+CB	Kein EANCOM Code
C082	<i>Party identification details</i>	A			
3039	Party identifier	M an..35		+761234 5888071	
1131	Code list identification code	N an..17		:	
3055	Code list responsible agency code	R an..3		:9	9 = EAN (International Article Numbering Association)
C058	<i>Name and address</i>	N			
3124	Name and address description	M an..35		+	
C080	<i>Party name</i>	D			
3036	Party name	M an..35		+Custom sBrokerN ame_1	
3036	Party name	O an..35		:	Customs BrokerNa me_2
3036	Party name	C an..35		:	Customs BrokerNa me_3
C059	<i>Street</i>	D			
3042	Street and number or post office box identifier	M an..35		+Custom sBrokerSt reet	
3164	City name	D an..35		+Custom sBrokerCi ty	
C819	<i>Country sub-entity details</i>	D			
3229	Country sub-entity name	O an..9		+	

IFTMIN 1.1

Segments Layout

	Description	St Format	*	Example	Remarks
3251	code Postal identification code	D an..17		+6000	
3207	Country name code	D an..3		+CH'	

Description:

Example:

NAD+CB+7612345888071::9++CustomsBrokerName_1:CustomsBrokerName_2:CustomsBrokerName_3+CustomsBrokerStreet+CustomsBrokerCity++6000+CH'

IFTMIN 1.1

Segments Layout

Group	SG11	Status: C	Max. occ.: 99	Customs broker
Group	SG12	Status: C	Max. occ.: 9	Kontakt details
Segment	CTA	No.: 78 Status: M	Level: 2 Max. occ.: 1	Contact information

Description Contact information

Description of Segment:

	Description	St Format	*	Example	Remarks
3139	Contact function code	R an..3	*	+IC	IC = Informationsstelle
C056	<i>Department or employee details</i>	O			
3413	Department or employee name code	O an..17		+	
3412	Department or employee name	O an..35		:Kontakt Customs Broker'	

Description:

Example:

CTA+IC+:Kontakt CustomsBroker'

IFTMIN 1.1

Segments Layout

<i>Group</i>	SG11	Status: C	Max. occ.: 99	Customs broker
<i>Group</i>	SG12	Status: C	Max. occ.: 9	Kontakt details
<i>Segment</i>	COM	No.: 79 Status: C	Level: 3 Max. occ.: 9	Communication contact

Description Communication contact

Description of Segment:

	Description	St Format	*	Example	Remarks
C076	<i>Communication contact</i>	M			
3148	Communication address identifier	M an..512		+211332	
3155	Communication address code qualifier	M an..3	*	:TE'	TE = Telephone FX = Fax EM = Electronic mail TL = Telex

Description:

Example:

COM+211332:TE'

IFTMIN 1.1

Segments Layout

Group	SG11	Status: C	Max. occ.: 99	Customs broker
Group	SG13	Status: C	Max. occ.: 9	Dokumente
Segment	DOC	No.: 80 Status: M	Level: 2 Max. occ.: 1	Document/message details

Description Document/message details

Description of Segment:

	Description	St Format	*	Example	Remarks
C002	<i>Document/message name</i>	M			
1001	Document name code	C an..3		+706	706 = Bill of lading original 707 = Bill of lading copy
1131	Code list identification code	C an..17		:	
3055	Code list responsible agency code	C an..3		:	
1000	Document name	C an..35		:Original B/L	
C503	<i>Document/message details</i>	C			
1004	Document identifier	C an..35		+	
1373	Document status code	C an..3		:	
1366	Document source description	C an..70		:mit Fahrer	
3153	Communication medium type code	C an..3		+	
1220	Document copies required quantity	C n..2		+1'	

Description:

Number and type of documents send to.

Example:

DOC+706:::Original B/L+::mit Fahrer++1'

IFTMIN 1.1

Segments Layout

Group	SG11	Status: C	Max. occ.: 99	Notify party 1
Segment	NAD	No.: 81 Status: M	Level: 1 Max. occ.: 1	Name and address

Description Identifikation der Versandstelle

Description of Segment:

	Description	St Format	*	Example	Remarks
3035	Party function code qualifier	M an..3	*	+N1	N1 = Notify party no. 1
C082	<i>Party identification details</i>	A			
3039	Party identifier	M an..35		+761234 5888088	
1131	Code list identification code	N an..17		:	
3055	Code list responsible agency code	R an..3		:9	9 = EAN (International Article Numbering Association)
C058	<i>Name and address</i>	N			
3124	Name and address description	M an..35		+	
C080	<i>Party name</i>	D			
3036	Party name	M an..35		+NotifyP arty1Na me_1	
3036	Party name	O an..35		:	
3036	Party name	C an..35		:	
3036	Party name	C an..35		:	
3036	Party name	C an..35		:	
3036	Party name	C an..35		:	
3036	Party name	C an..35		:	
3036	Party name	C an..35		:	
C059	<i>Street</i>	D			
3042	Street and number or post office box identifier	M an..35		+NotifyP arty1Stre et	
3164	City name	D an..35		+NotifyP arty1City	
C819	<i>Country sub-entity details</i>	D			
3229	Country sub-entity name	O an..9		+	

IFTMIN 1.1

Segments Layout

	Description	St Format	*	Example	Remarks
3251	code Postal identification code	D an..17		+6500	
3207	Country name code	D an..3		+CH'	

Description:

Example:

NAD+N1+7612345888088::9++NotifyParty1Name_1:NotifyParty1Name_2:NotifyParty1Name_3+NotifyParty1Street+NotifyParty1City++6500+CH'

IFTMIN 1.1

Segments Layout

Group	SG11	Status: C	Max. occ.: 99	Notify party 1
Group	SG12	Status: C	Max. occ.: 9	Kontakt details
Segment	CTA	No.: 82 Status: M	Level: 2 Max. occ.: 1	Contact information

Description Contact information

Description of Segment:

	Description	St Format	*	Example	Remarks
3139	Contact function code	R an..3	*	+IC	IC = Informationsstelle
C056	<i>Department or employee details</i>	O			
3413	Department or employee name code	O an..17		+	
3412	Department or employee name	O an..35		:Kontakt NotifyParty1'	

Description:

Example:

CTA+IC+:Kontakt NotifyParty1'

IFTMIN 1.1

Segments Layout

<i>Group</i>	SG11	Status: C	Max. occ.: 99	Notify party 1
<i>Group</i>	SG12	Status: C	Max. occ.: 9	Kontaktdetails
<i>Segment</i>	COM	No.: 83 Status: C	Level: 3 Max. occ.: 9	Communication contact

Description Communication contact

Description of Segment:

	Description	St Format	*	Example	Remarks
C076	<i>Communication contact</i>	M			
3148	Communication address identifier	M an..512		+004155 8007344	
3155	Communication address code qualifier	M an..3	*	:TE'	TE = Telephone FX = Fax EM = Electronic mail TL = Telex

Description:

Example:

COM+0041558007344:TE'

IFTMIN 1.1

Segments Layout

<i>Group</i>	SG11	Status: C	Max. occ.: 99	Notify party 1
<i>Group</i>	SG13	Status: C	Max. occ.: 9	Dokumente
<i>Segment</i>	DOC	No.: 84 Status: M	Level: 2 Max. occ.: 1	Document/message details

Description Document/message details

Description of Segment:

	Description	St Format	*	Example	Remarks
C002	<i>Document/message name</i>	M			
1001	Document name code	C an..3		+706	706 = Bill of lading original 707 = Bill of lading copy
1131	Code list identification code	C an..17		:	
3055	Code list responsible agency code	C an..3		:	
1000	Document name	C an..35		:Original B/L	
C503	<i>Document/message details</i>	C			
1004	Document identifier	C an..35		+	
1373	Document status code	C an..3		:	
1366	Document source description	C an..70		:mit Fahrer	
3153	Communication medium type code	C an..3		+	
1220	Document copies required quantity	C n..2		+1'	

Description:

Number and type of documents send to.

Example:

DOC+706:::Original B/L+::mit Fahrer++1'

IFTMIN 1.1

Segments Layout

Group **SG11** Status: C Max. occ.: 99 Notify party 2

Segment **NAD** No.: 85 Level: 1 Name and address
Status: M Max. occ.: 1

Description Identifikation der Versandstelle

Description of Segment:

	Description	St Format	*	Example	Remarks
3035	Party function code qualifier	M an..3	*	+N2	N2 = Notify party no. 2
C082	<i>Party identification details</i>	A			
3039	Party identifier	M an..35		+761234 5888095	
1131	Code list identification code	N an..17		:	
3055	Code list responsible agency code	R an..3		:9	9 = EAN (International Article Numbering Association)
C058	<i>Name and address</i>	N			
3124	Name and address description	M an..35		+	
C080	<i>Party name</i>	D			
3036	Party name	M an..35		+NotifyP arty2Na me_1	
3036	Party name	O an..35		:	
3036	Party name	C an..35		:	
3036	Party name	C an..35		:	
3036	Party name	C an..35		:	
3036	Party name	C an..35		:	
3036	Party name	C an..35		:	
3036	Party name	C an..35		:	
C059	<i>Street</i>	D			
3042	Street and number or post office box identifier	M an..35		+NotifyP arty2Stre et	
3164	City name	D an..35		+NotifyP arty2City	
C819	<i>Country sub-entity details</i>	D			
3229	Country sub-entity name	O an..9		+	

IFTMIN 1.1

Segments Layout

	Description	St Format	*	Example	Remarks
3251	code Postal identification code	D an..17		+2500	
3207	Country name code	D an..3		+CH'	

Description:

Example:

NAD+N2+7612345888095::9++NotifyParty2Name_1:NotifyParty2Name_2:NotifyParty2Name_3+NotifyParty2Street+NotifyParty2City++2500+CH'

IFTMIN 1.1

Segments Layout

Group	SG11	Status: C	Max. occ.: 99	Notify party 2
Group	SG12	Status: C	Max. occ.: 9	Kontakt details
Segment	CTA	No.: 86 Status: M	Level: 2 Max. occ.: 1	Contact information

Description Contact information

Description of Segment:

	Description	St Format	*	Example	Remarks
3139	Contact function code	R an..3	*	+IC	IC = Informationsstelle
C056	<i>Department or employee details</i>	O			
3413	Department or employee name code	O an..17		+	
3412	Department or employee name	O an..35		:Kontakt NotifyParty2'	

Description:

Example:

CTA+IC+:Kontakt NotifyParty2'

IFTMIN 1.1

Segments Layout

<i>Group</i>	SG11	Status: C	Max. occ.: 99	Notify party 2
<i>Group</i>	SG12	Status: C	Max. occ.: 9	Kontaktdetails
<i>Segment</i>	COM	No.: 87 Status: C	Level: 3 Max. occ.: 9	Communication contact

Description Communication contact

Description of Segment:

	Description	St Format	*	Example	Remarks
C076	<i>Communication contact</i>	M			
3148	Communication address identifier	M an..512		+004121 5123403 4	
3155	Communication address code qualifier	M an..3	*	:TE'	TE = Telephone FX = Fax EM = Electronic mail TL = Telex

Description:

Example:

COM+00412151234034:TE'

IFTMIN 1.1

Segments Layout

<i>Group</i>	SG11	Status: C	Max. occ.: 99	Notify party 2
<i>Group</i>	SG13	Status: C	Max. occ.: 9	Dokumente
<i>Segment</i>	DOC	No.: 88 Status: M	Level: 2 Max. occ.: 1	Document/message details

Description Document/message details

Description of Segment:

	Description	St Format	*	Example	Remarks
C002	<i>Document/message name</i>	M			
1001	Document name code	C an..3		+706	706 = Bill of lading original 707 = Bill of lading copy
1131	Code list identification code	C an..17		:	
3055	Code list responsible agency code	C an..3		:	
1000	Document name	C an..35		:Original B/L	
C503	<i>Document/message details</i>	C			
1004	Document identifier	C an..35		+	
1373	Document status code	C an..3		:	
1366	Document source description	C an..70		:mit Fahrer	
3153	Communication medium type code	C an..3		+	
1220	Document copies required quantity	C n..2		+1'	

Description:

Number and type of documents send to.

Example:

DOC+706:::Original B/L+::mit Fahrer++1'

IFTMIN 1.1

Segments Layout

Group	SG11	Status: C	Max. occ.: 99	Delivery party
Segment	NAD	No.: 89 Status: M	Level: 1 Max. occ.: 1	Name and address

Description Identifikation der Versandstelle

Description of Segment:

	Description	St Format	*	Example	Remarks
3035	Party function code qualifier	M an..3	*	+DP	DP = Delivery party
C082	<i>Party identification details</i>	A			
3039	Party identifier	M an..35		+761234 5888101	
1131	Code list identification code	N an..17		:	
3055	Code list responsible agency code	R an..3		:9	9 = EAN (International Article Numbering Association)
C058	<i>Name and address</i>	N			
3124	Name and address description	M an..35		+	
C080	<i>Party name</i>	D			
3036	Party name	M an..35		+Delivery PartyNa me_1	
3036	Party name	O an..35		:	DeliveryP artyNam e_2
3036	Party name	C an..35		:	DeliveryP artyNam e_3
C059	<i>Street</i>	D			
3042	Street and number or post office box identifier	M an..35		+Delivery PartyStre et	
3164	City name	D an..35		+Delivery PartyCity	
C819	<i>Country sub-entity details</i>	D			
3229	Country sub-entity name	O an..9		+	

IFTMIN 1.1

Segments Layout

	Description	St Format	*	Example	Remarks
3251	code Postal identification code	D an..17		+5300	
3207	Country name code	D an..3		+CH'	

Description:

Example:

NAD+DP+7612345888101::9++DeliveryPartyName_1:DeliveryPartyName_2:DeliveryPartyName_3+DeliveryPartyStreet+DeliveryPartyCity++5300+CH'

IFTMIN 1.1

Segments Layout

Group	SG11	Status: C	Max. occ.: 99	Delivery party
Group	SG12	Status: C	Max. occ.: 9	Kontakt details
Segment	CTA	No.: 90 Status: M	Level: 2 Max. occ.: 1	Contact information

Description Contact information

Description of Segment:

	Description	St Format	*	Example	Remarks
3139	Contact function code	R an..3	*	+IC	IC = Informationsstelle
C056	<i>Department or employee details</i>	O			
3413	Department or employee name code	O an..17		+	
3412	Department or employee name	O an..35		:Kontakt DeliveryParty'	

Description:

Example:

CTA+IC+:Kontakt DeliveryParty'

IFTMIN 1.1

Segments Layout

<i>Group</i>	SG11	Status: C	Max. occ.: 99	Delivery party
<i>Group</i>	SG12	Status: C	Max. occ.: 9	Kontaktdetails
<i>Segment</i>	COM	No.: 91 Status: C	Level: 3 Max. occ.: 9	Communication contact

Description Communication contact

Description of Segment:

	Description	St Format	*	Example	Remarks
C076	<i>Communication contact</i>	M			
3148	Communication address identifier	M an..512		+004152 9127655	
3155	Communication address code qualifier	M an..3	*	:TE'	TE = Telephone FX = Fax EM = Electronic mail TL = Telex

Description:

Example:

COM+0041529127655:TE'

IFTMIN 1.1

Segments Layout

<i>Group</i>	SG11	Status: C	Max. occ.: 99	Delivery party
<i>Group</i>	SG13	Status: C	Max. occ.: 9	Dokumente
<i>Segment</i>	DOC	No.: 92 Status: M	Level: 2 Max. occ.: 1	Document/message details

Description Document/message details

Description of Segment:

	Description	St Format	*	Example	Remarks
C002	<i>Document/message name</i>	M			
1001	Document name code	C an..3		+706	706 = Bill of lading original 707 = Bill of lading copy
1131	Code list identification code	C an..17		:	
3055	Code list responsible agency code	C an..3		:	
1000	Document name	C an..35		:Original B/L	
C503	<i>Document/message details</i>	C			
1004	Document identifier	C an..35		+	
1373	Document status code	C an..3		:	
1366	Document source description	C an..70		:mit Fahrer	
3153	Communication medium type code	C an..3		+	
1220	Document copies required quantity	C n..2		+1'	

Description:

Number and type of documents send to.

Example:

DOC+706:::Original B/L+::mit Fahrer++1'

IFTMIN 1.1

Segments Layout

Group **SG11** Status: C Max. occ.: 99 Party to be billed

Segment **NAD** No.: 93 Level: 1 Name and address
Status: M Max. occ.: 1

Description Identifikation der Versandstelle

Description of Segment:

	Description	St Format	*	Example	Remarks
3035	Party function code qualifier	M an..3	*	+AA	AA = Party to be billed (AAR Accounting rule 11) Kein EANCOM Code
C082	<i>Party identification details</i>	A			
3039	Party identifier	M an..35		+761234 5888118	
1131	Code list identification code	N an..17		:	
3055	Code list responsible agency code	R an..3		:9	9 = EAN (International Article Numbering Association)
C058	<i>Name and address</i>	N			
3124	Name and address description	M an..35		+	
C080	<i>Party name</i>	D			
3036	Party name	M an..35		+PartyTo BeBilledNa me_1	
3036	Party name	O an..35		: PartyToB eBilledNa me_2	
3036	Party name	C an..35		: PartyToB eBilledNa me_3	
C059	<i>Street</i>	D			
3042	Street and number or post office box identifier	M an..35		+PartyTo BeBilledS treet	
3164	City name	D an..35		+BONN	
C819	<i>Country sub-entity details</i>	D			
3229	Country sub-entity name code	O an..9		+	

IFTMIN 1.1

Segments Layout

	Description	St Format	*	Example	Remarks
3251	Postal identification code	D an..17		+8500	
3207	Country name code	D an..3		+CH'	

Description:

Example:

NAD+AA+7612345888118::9++PartyToBeBilledName_1:PartyToBeBilledName_2:PartyToBeBilledName_3+PartyToBeBilledStreet+BONN++8500+CH'

IFTMIN 1.1

Segments Layout

Group	SG11	Status: C	Max. occ.: 99	Party to be billed
Group	SG12	Status: C	Max. occ.: 9	Kontakt details
Segment	CTA	No.: 94 Status: M	Level: 2 Max. occ.: 1	Contact information

Description Contact information

Description of Segment:

	Description	St Format	*	Example	Remarks
3139	Contact function code	R an..3	*	+IC	IC = Informationsstelle
C056	<i>Department or employee details</i>	O			
3413	Department or employee name code	O an..17		+	
3412	Department or employee name	O an..35		:Kontakt PartyToBeBilled'	

Description:

Example:

CTA+IC+:Kontakt PartyToBeBilled'

IFTMIN 1.1

Segments Layout

<i>Group</i>	SG11	Status: C	Max. occ.: 99	Party to be billed
<i>Group</i>	SG12	Status: C	Max. occ.: 9	Kontakt details
<i>Segment</i>	COM	No.: 95 Status: C	Level: 3 Max. occ.: 9	Communication contact

Description Communication contact

Description of Segment:

	Description	St Format	*	Example	Remarks
C076	<i>Communication contact</i>	M			
3148	Communication address identifier	M an..512		+004158 8121414	
3155	Communication address code qualifier	M an..3	*	:TE'	TE = Telephone FX = Fax EM = Electronic mail TL = Telex

Description:

Example:

COM+0041588121414:TE'

IFTMIN 1.1

Segments Layout

<i>Group</i>	SG11	Status: C	Max. occ.: 99	Party to be billed
<i>Group</i>	SG13	Status: C	Max. occ.: 9	Dokumente
<i>Segment</i>	DOC	No.: 96 Status: M	Level: 2 Max. occ.: 1	Document/message details

Description Document/message details

Description of Segment:

	Description	St Format	*	Example	Remarks
C002	<i>Document/message name</i>	M			
1001	Document name code	C an..3		+706	706 = Bill of lading original 707 = Bill of lading copy
1131	Code list identification code	C an..17		:	
3055	Code list responsible agency code	C an..3		:	
1000	Document name	C an..35		:Original B/L	
C503	<i>Document/message details</i>	C			
1004	Document identifier	C an..35		+	
1373	Document status code	C an..3		:	
1366	Document source description	C an..70		:mit Fahrer	
3153	Communication medium type code	C an..3		+	
1220	Document copies required quantity	C n..2		+1'	

Description:

Number and type of documents send to.

Example:

DOC+706:::Original B/L+::mit Fahrer++1'

IFTMIN 1.1

Segments Layout

<i>Group</i>	SG18	Status: C	Max. occ.: 999	Goods details
Segment	GID	No.: 97 Status: M	Level: 1 Max. occ.: 1	Goods item details

Description Goods item details

Description of Segment:

	Description	St Format	*	Example	Remarks
1496	Goods item number	R n..5		+1	Number of GID
C213	<i>Number and type of packages</i>	R			
7224	Package quantity	R n..8		+10	Number
7065	Package type description code	O an..17		:CT	Packaging code
1131	Code list identification code	N an..17		:	
3055	Code list responsible agency code	D an..3		:	9 = EAN (International Article Numbering Association)
7064	Type of packages	C an..35		:Karton'	Packaging plaintext

Description:

Example:

GID+1+10:CT:::Karton'

IFTMIN 1.1

Segments Layout

Group **SG18** Status: C Max. occ.: 999 Goods details

Segment **HAN** No.: 98 Level: 2 **Handling instructions**
 Status: C Max. occ.: 99

Description Handling instructions

Description of Segment:

	Description	St Format	*	Example	Remarks
C524	<i>Handling instructions</i>	C			
4079	Handling instruction description code	N an..3		+	
1131	Code list identification code	N an..17		:	
3055	Code list responsible agency code	N an..3		:	
4078	Handling instruction description	C an..70		: Handling instructions'	

Description:

Example:

HAN+:::Handling instructions'

IFTMIN 1.1

Segments Layout

Group **SG18** Status: C Max. occ.: 999 Goods details

Segment **TMP** No.: 99 Level: 2 Temperature
 Status: C Max. occ.: 1

Description Temperature

Description of Segment:

	Description	St Format	*	Example	Remarks
6245	Temperature type code qualifier	M an..3	*	+2	2 = Transport temperature
C239	<i>Temperature setting</i>	C			
6246	Temperature value	C n..15		+4	Tempearaturwert
6411	Measurement unit code	C an..3	*	:CEL'	CEL = degree celsius

Description:

Example:

TMP+2+4:CEL'

IFTMIN 1.1

Segments Layout

Group **SG18** Status: C Max. occ.: 999 Goods details

Segment **LOC** No.: 100 Level: 2 Place/location identification
Status: C Max. occ.: 9

Description Country of origin

Description of Segment:

	Description	St Format	*	Example	Remarks
3227	Location function code qualifier	M an..3	*	+27	27 = Country of origin
C517	<i>Location identification</i>	C			
3225	Location name code	C an..25		+CH	
1131	Code list identification code	C an..17		:	
3055	Code list responsible agency code	C an..3		:	
3224	Location name	C an..256		:Schweiz'	

Description:

Example:

LOC+27+CH:::Schweiz'

IFTMIN 1.1

Segments Layout

Group **SG18** Status: C Max. occ.: 999 Goods details

Segment **MOA** No.: 101 Level: 2 **Monetary amount**
 Status: C Max. occ.: 9

Description Grenzwert

Description of Segment:

	Description	St Format	*	Example	Remarks
C516	<i>Monetary amount</i>	M			
5025	Monetary amount type code qualifier	M an..3	*	+40	40 = Customs value 105 = Other valuation charges (Customs) 40 = Value of goods (in CHF) 105 = Value of export permission (in CHF)
5004	Monetary amount	C n..35		:25000	
6345	Currency identification code	C an..3		:CHF'	

Description:

Example:

MOA+40:25000:CHF'

IFTMIN 1.1

Segments Layout

Group **SG18** Status: C Max. occ.: 999 Goods details

Segment **FTX** No.: 102 Level: 2 Free text
Status: C Max. occ.: 99

Description **Warenbeschreibung**
Goods description

Description of Segment:

	Description	St Format	*	Example	Remarks
4451	Text subject code qualifier	M an..3		+AAA	AAA = Goods description
4453	Free text function code	O an..3		+	1 = Text für nachfolgenden Gebrauch
C107	<i>Text reference</i>	D			
4441	Free text value code	M an..17		+	
C108	<i>Text literal</i>	C			
4440	Free text value	M an..512		+Warenb eschreib ung1	
4440	Free text value	O an..512		: Warenbe schreibu ng2	
4440	Free text value	O an..512		: Warenbe schreibu ng3	
4440	Free text value	O an..512		: Warenbe schreibu ng4	
4440	Free text value	O an..512		: Warenbe schreibu ng5	
3453	Language name code	D an..3		+DE'	

Description:

Example:

FTX+AAA+++Warenbeschreibung1:Warenbeschreibung2:Warenbeschreibung3:Warenbeschreibung4:Warenbesch
reibung5+DE'

IFTMIN 1.1

Segments Layout

Group	SG18	Status: C	Max. occ.: 999	Goods details
Group	SG19	Status: C	Max. occ.: 9	Delivery party
Segment	NAD	No.: 103 Status: M	Level: 2 Max. occ.: 1	Name and address

Description Identifikation der Versandstelle

Description of Segment:

	Description	St Format	*	Example	Remarks
3035	Party function code qualifier	M an..3	*	+DP	DP = Delivery party
C082	<i>Party identification details</i>	A			
3039	Party identifier	M an..35		+761234 5888101	
1131	Code list identification code	N an..17		:	
3055	Code list responsible agency code	R an..3		:9	9 = EAN (International Article Numbering Association)
C058	<i>Name and address</i>	N			
3124	Name and address description	M an..35		+	
C080	<i>Party name</i>	D			
3036	Party name	M an..35		+Delivery PartyNa me_1	
3036	Party name	O an..35		:	
3036	Party name	C an..35		DeliveryP artyNam e_2	
3036	Party name	C an..35		:	
3036	Party name	C an..35		DeliveryP artyNam e_3	
C059	<i>Street</i>	D			
3042	Street and number or post office box identifier	M an..35		+Delivery PartyStre et	
3164	City name	D an..35		+Delivery PartyCity	

IFTMIN 1.1

Segments Layout

	Description	St Format	*	Example	Remarks
C819	<i>Country sub-entity details</i>	D			
3229	Country sub-entity name code	O an..9		+	
3251	Postal identification code	D an..17		+5300	
3207	Country name code	D an..3		+CH'	

Description:

Example:

NAD+DP+7612345888101::9++DeliveryPartyName_1:DeliveryPartyName_2:DeliveryPartyName_3+DeliveryPartyStreet+DeliveryPartyCity++5300+CH'

IFTMIN 1.1

Segments Layout

<i>Group</i>	SG18	Status: C	Max. occ.: 999	Goods details
<i>Group</i>	SG19	Status: C	Max. occ.: 9	Delivery party
<i>Segment</i>	DTM	No.: 104 Status: C	Level: 3 Max. occ.: 1	Date/time/period

Description Date/time/period

Description of Segment:

	Description	St Format	*	Example	Remarks
C507	<i>Date/time/period</i>	M			
2005	Date or time or period function code qualifier	M an..3	*	+63	63 = Delivery date/time, latest
2380	Date or time or period value	C an..35		: 2009012 00900	
2379	Date or time or period format code	C an..3		:201'	

Description:

Example:

DTM+63:200901200900:201'

IFTMIN 1.1

Segments Layout

Group	SG18	Status: C	Max. occ.: 999	Goods details
Group	SG19	Status: C	Max. occ.: 9	Despatch Party
Segment	NAD	No.: 105 Status: M	Level: 2 Max. occ.: 1	Name and address

Description Identifikation der Versandstelle

Description of Segment:

	Description	St Format	*	Example	Remarks
3035	Party function code qualifier	M an..3	*	+PW	PW = Despatch party
C082	<i>Party identification details</i>	A			
3039	Party identifier	M an..35		+761234 5888033	
1131	Code list identification code	N an..17		:	
3055	Code list responsible agency code	R an..3		:9	9 = EAN (International Article Numbering Association)
C058	<i>Name and address</i>	N			
3124	Name and address description	M an..35		+	
C080	<i>Party name</i>	D			
3036	Party name	M an..35		+Despatc hPartyNa me_1	
3036	Party name	O an..35		: Despatch PartyNa me_2	
3036	Party name	C an..35		: Despatch PartyNa me_3	
C059	<i>Street</i>	D			
3042	Street and number or post office box identifier	M an..35		+Despatc hPartyStr eet	
3164	City name	D an..35		+Despatc hPartyCit	

IFTMIN 1.1

Segments Layout

	Description	St Format	*	Example	Remarks
C819	<i>Country sub-entity details</i>	D		y	
3229	Country sub-entity name code	O an..9		+	
3251	Postal identification code	D an..17		+8000	
3207	Country name code	D an..3		+CH'	

Description:

Example:

NAD+PW+7612345888033::9++DespatchPartyName_1:DespatchPartyName_2:DespatchPartyName_3+DespatchPartyStreet+DespatchPartyCity++8000+CH'

IFTMIN 1.1

Segments Layout

<i>Group</i>	SG18	Status: C	Max. occ.: 999	Goods details
<i>Group</i>	SG19	Status: C	Max. occ.: 9	Despatch Party
<i>Segment</i>	DTM	No.: 106 Status: C	Level: 3 Max. occ.: 1	Date/time/period

Description Date/time/period

Description of Segment:

	Description	St Format	*	Example	Remarks
C507	<i>Date/time/period</i>	M			
2005	Date or time or period function code qualifier	M an..3	*	+234	234 = Collection date/time, earliest
2380	Date or time or period value	C an..35		: 2008122 01000	
2379	Date or time or period format code	C an..3		:201'	

Description:

Example:

DTM+234:200812201000:201'

IFTMIN 1.1

Segments Layout

<i>Group</i>	SG18	Status: C	Max. occ.: 999	Goods details
<i>Group</i>	SG20	Status: C	Max. occ.: 99	MEA
Segment	MEA	No.: 107 Status: M	Level: 2 Max. occ.: 1	Measurements

Description Masse und Gewichte

Description of Segment:

	Description	St Format	*	Example	Remarks
6311	Measurement purpose code qualifier	M an..3	*	+LMT	AAE = Measurement LMT = Loading metre AAJ = Visa quantity AAJ = Quantity of export permission (CITES etc.)
C502	<i>Measurement details</i>	A			
6313	Measured attribute code	M an..3		+LN	AAA = Unit net weight AAB = Unit gross weight ABJ = Volume LN = Length dimension
C174	<i>Value/range</i>	C			
6411	Measurement unit code	M an..3		+MTR	MTR = metre KGM = kilogram MTQ = cubic metre
6314	Measurement value	O an..18		:1.5'	

Description:

Example:

MEA+LMT+LN+MTR:1.5'

IFTMIN 1.1

Segments Layout

Group	SG18	Status: C	Max. occ.: 999	Goods details
Group	SG21	Status: C	Max. occ.: 99	DIM-EQN
Segment	DIM	No.: 108 Status: M	Level: 2 Max. occ.: 1	Dimensions

Description Dimensionen

Description of Segment:

	Description	St Format	*	Example	Remarks
6145	Dimension type code qualifier	M an..3	*	+2	2 = Package dimensions (incl. goods)
C211	<i>Dimensions</i>	M			
6411	Measurement unit code	M an..3		+MTR	
6168	Length dimension value	O n..15		:1	Length
6140	Width dimension value	O n..15		:1	Width
6008	Height dimension value	O n..15		:1'	height

Description:

Example:

DIM+2+MTR:1:1:1'

IFTMIN 1.1

Segments Layout

<i>Group</i>	SG18	Status: C	Max. occ.: 999	Goods details
<i>Group</i>	SG21	Status: C	Max. occ.: 99	DIM-EQN
<i>Segment</i>	EQN	No.: 109 Status: C	Level: 3 Max. occ.: 1	Number of units

Description Number of units

Description of Segment:

	Description	St Format	*	Example	Remarks
C523	Number of unit details	M			
6350	Units quantity	R n..15		+15'	

Description:

Example:

EQN+15'

IFTMIN 1.1

Segments Layout

<i>Group</i>	SG18	Status: C	Max. occ.: 999	Goods details
<i>Group</i>	SG22	Status: C	Max. occ.: 9	RFF
<i>Segment</i>	RFF	No.: 110 Status: M	Level: 2 Max. occ.: 1	Reference

Description Reference

Description of Segment:

	Description	St Format	*	Example	Remarks
C506	<i>Reference</i>	M			
1153	Reference code qualifier	M an..3	*	+ABD	ABA = Customs valuation decision number ABD = Customs tariff number ON = Order number (buyer) EX = Export licence number Customs tariff number ABA = AdditionalUnit (Zusatzmenge)
1154	Reference identifier	C an..70		:3707. 9000.993'	Tarif/Untertarif/Schlüssel

Description:

Example:

RFF+ABD:3707.9000.993'

IFTMIN 1.1

Segments Layout

<i>Group</i>	SG18	Status: C	Max. occ.: 999	Goods details
<i>Group</i>	SG23	Status: C	Max. occ.: 999	PCI-GIN
<i>Segment</i>	PCI	No.: 111 Status: M	Level: 2 Max. occ.: 1	Package identification

Description Kennzeichnung mit NVE

Description of Segment:

	Description	St Format	*	Example	Remarks
4233	Marking instructions code	C an..3		+33E	33E = Marked with serial shipping container code (GS1 Code)
C210	<i>Marks & labels</i>	C			
7102	Shipping marks description	M an..35		+VITRA BLotzheim m 1-34'	

Description:

Example:

PCI+33E+VITRA BLotzheim 1-34'

IFTMIN 1.1

Segments Layout

Group	SG18	Status: C	Max. occ.: 999	Goods details
Group	SG23	Status: C	Max. occ.: 999	PCI-GIN
Segment	GIN	No.: 112 Status: C	Level: 3 Max. occ.: 10	Goods identity number

Description Nummer der Versandeinheit (NVE)

Description of Segment:

	Description	St Format	*	Example	Remarks
7405	Object identification code qualifier	M an..3		+BJ	BJ = Nummer der Versandeinheit (NVE/SSCC)
C208	<i>Identity number range</i>	M			
7402	Object identifier	M an..35		+761234 5880000 00015'	

Description:

Example:

GIN+BJ+761234588000000015'

IFTMIN 1.1

Segments Layout

Group	SG18	Status: C	Max. occ.: 999	Goods details
Group	SG32	Status: C	Max. occ.: 99	DGS-FTX-SG33-SG34
Segment	DGS	No.: 113 Status: M	Level: 2 Max. occ.: 1	Dangerous goods

Description Dangerous goods

Description of Segment:

	Description	St Format	*	Example	Remarks
8273	Dangerous goods regulations code	R an..3	*	+ADR	ADR = European agreement regarding the total carriage of dangerous goods ICA = IATA ICAO IMD = IMO IMDG code RID = Rail/road dangerous goods book (RID)
C205	<i>Hazard code</i>	O			
8351	Hazard identification code	M an..7		+4.1	
8078	Additional hazard classification identifier	O an..7		:F1	
C234	<i>UNDG information</i>	O			
7124	United Nations Dangerous Goods (UNDG) identifier	O n4		+1456	
7088	Dangerous goods flashpoint value	O an..8		:82	
C223	<i>Dangerous goods shipment flashpoint</i>	O			
7106	Shipment flashpoint value	O n3		+082	
6411	Measurement unit code	O an..3		:CEL	
8339	Packaging danger level code	O an..3		+2	1 = Great danger 2 = Medium danger 3 = Minor danger
8364	Emergency procedure for ships identifier	C an..6		+1544	
8410	Hazard medical first aid guide identifier	C an..4		+778	
8126	Transport emergency card identifier	O an..10		+834	
C235	<i>Hazard identification placard details</i>	O			

IFTMIN 1.1

Segments Layout

	Description	St Format	*	Example	Remarks
8158	Orange hazard placard upper part identifier	O an..4		+33	
8186	Orange hazard placard lower part identifier	O an4		:1203	
C236	<i>Dangerous goods label</i>	O			
8246	Dangerous goods marking identifier	O an..4		+4.1	
8246	Dangerous goods marking identifier	O an..4		:6.1	
8246	Dangerous goods marking identifier	O an..4		:9.1	
8255	Packing instruction type code	C an..3		+A77	
8325	Hazardous means of transport category code	C an..3		+1'	

Description:

Example:

DGS+ADR+4.1:F1+1456:82+082:CEL+2+1544+778+834+33:1203+4.1:6.1:9.1+A77+1'

IFTMIN 1.1

Segments Layout

Group	SG18	Status: C	Max. occ.: 999	Goods details
Group	SG32	Status: C	Max. occ.: 99	DGS-FTX-SG33-SG34
Segment	FTX	No.: 114 Status: C	Level: 3 Max. occ.: 99	Free text

Description Technische Bezeichnung Gefahrgut

Description of Segment:

	Description	St Format	*	Example	Remarks
4451	Text subject code qualifier	M an..3	*	+AAD	AAD = Gefährliche Güter, technischer Name AAC = Dangerous goods additional information
4453	Free text function code	O an..3		+	1 = Text für nachfolgenden Gebrauch
C107	<i>Text reference</i>	D			
4441	Free text value code	M an..17		+ABG	
1131	Code list identification code	O an..17		:	
3055	Code list responsible agency code	O an..3		:91	
C108	<i>Text literal</i>	D			
4440	Free text value	M an..512		+Decaboran	
4440	Free text value	O an..512		:	
4440	Free text value	O an..512		:	
4440	Free text value	O an..512		:	
4440	Free text value	O an..512		:x	
3453	Language name code	D an..3		+DE'	

Description:

Example:

FTX+AAD++ABG::91+Decaboran::::x+DE'

IFTMIN 1.1

Segments Layout

Group	SG18	Status: C	Max. occ.: 999	Goods details
Group	SG32	Status: C	Max. occ.: 99	DGS-FTX-SG33-SG34
Group	SG33	Status: C	Max. occ.: 9	CTA-COM
Segment	CTA	No.: 115 Status: M	Level: 3 Max. occ.: 1	Contact information

Description Contact information

Description of Segment:

	Description	St Format	*	Example	Remarks
3139	Contact function code	C an..3	*	+HG	HG = Dangerous goods contact
C056	<i>Department or employee details</i>	C			
3413	Department or employee name code	C an..17		+	
3412	Department or employee name	C an..35		:Heinrich Walther'	

Description:

Example:

CTA+HG+:Heinrich Walther'

IFTMIN 1.1

Segments Layout

Group	SG18	Status: C	Max. occ.: 999	Goods details
Group	SG32	Status: C	Max. occ.: 99	DGS-FTX-SG33-SG34
Group	SG33	Status: C	Max. occ.: 9	CTA-COM
Segment	COM	No.: 116 Status: C	Level: 4 Max. occ.: 9	Communication contact

Description Communication contact

Description of Segment:

	Description	St Format	*	Example	Remarks
C076	Communication contact	M			
3148	Communication address identifier	M an..512		+?+41 (0)55 833 33 46	
3155	Communication address code qualifier	M an..3		:TE'	

Description:

Example:

COM+?+41 (0)55 833 33 46:TE'

IFTMIN 1.1

Segments Layout

Group	SG18	Status: C	Max. occ.: 999	Goods details
Group	SG32	Status: C	Max. occ.: 99	DGS-FTX-SG33-SG34
Group	SG34	Status: C	Max. occ.: 9	MEA-EQN
Segment	MEA	No.: 117 Status: M	Level: 3 Max. occ.: 1	Measurements

Description Measurements

Description of Segment:

	Description	St Format	*	Example	Remarks
6311	Measurement purpose code qualifier	M an..3	*	+AAE	AAE = Measurement LMT = Loading metre
C502	<i>Measurement details</i>	A			
6313	Measured attribute code	M an..3	*	+ABJ	AAB = Unit gross weight ABJ = Volume LN = Length dimension
C174	<i>Value/range</i>	C			
6411	Measurement unit code	M an..3		+MTQ	MTQ = cubic metre
6314	Measurement value	O an..18		:3.5'	

Description:

Example:

MEA+AAE+ABJ+MTQ:3.5'

IFTMIN 1.1

Segments Layout

Group	SG18	Status: C	Max. occ.: 999	Goods details
Group	SG32	Status: C	Max. occ.: 99	DGS-FTX-SG33-SG34
Group	SG34	Status: C	Max. occ.: 9	MEA-EQN
Segment	EQN	No.: 118 Status: C	Level: 4 Max. occ.: 1	Number of units

Description Number of units

Description of Segment:

	Description	St Format	*	Example	Remarks
C523	Number of unit details	M			
6350	Units quantity	C n..15		+15'	

Description:

Example:

EQN+15'

IFTMIN 1.1

Segments Layout

Group	SG37	Status: C	Max. occ.: 999	Equipment
Segment	EQD	No.: 119 Status: M	Level: 1 Max. occ.: 1	Equipment details

Description Lademittel

Description of Segment:

	Description	St Format	*	Example	Remarks
8053	Equipment type code qualifier	M an..3		+CN	CN = Container
C237	<i>Equipment identification</i>	R			
8260	Equipment identifier	O an..17		+EACU13 8322-6	
C224	<i>Equipment size and type</i>	C			
8155	Equipment size and type description code	C an..10		+	
1131	Code list identification code	C an..17		:	
3055	Code list responsible agency code	C an..3		:	
8154	Equipment size and type description	C an..35		:20?' Containe r	
8077	Equipment supplier code	C an..3		+1	1 = Shipper supplied 2 = Carrier supplied
8249	Equipment status code	C an..3		+	
8169	Full or empty indicator code	C an..3		+5'	4 = Empty 5 = Full

Description:

Example:

EQD+CN+EACU138322-6+:::20?' Container+1++5'

IFTMIN 1.1

Segments Layout

<i>Group</i>	SG37	Status: C	Max. occ.: 999	Equipment
<i>Segment</i>	EQN	No.: 120 Status: C	Level: 2 Max. occ.: 1	Number of units

Description Anzahl Einheiten

Description of Segment:

	Description	St Format	*	Example	Remarks
C523	Number of unit details	M			
6350	Units quantity	R n..15		+1'	

Description:

Example:

EQN+1'

IFTMIN 1.1

Segments Layout

Group	SG37	Status: C	Max. occ.: 999	Equipment
Segment	MEA	No.: 121 Status: C	Level: 2 Max. occ.: 9	Measurements

Description Anzahl Palettenplätze

Description of Segment:

	Description	St Format	*	Example	Remarks
6311	Measurement purpose code qualifier	M an..3	*	+AAE	AAE = Measurement LMT = Loading metre
C502	<i>Measurement details</i>	A			
6313	Measured attribute code	M an..3	*	+AAB	AAB = Unit gross weight ABJ = Volume LN = Length dimension
C174	<i>Value/range</i>	C			
6411	Measurement unit code	M an..3		+KGM	KGM = kilogram
6314	Measurement value	O an..18		:10'	

Description:

Example:

MEA+AAE+AAB+KGM:10'

IFTMIN 1.1

Segments Layout

Group **SG37** Status: C Max. occ.: 999 Equipment

Segment **DIM** No.: 122 Level: 2 **Dimensions**
 Status: C Max. occ.: 9

Description Dimensions

Description of Segment:

	Description	St Format	*	Example	Remarks
6145	Dimension type code qualifier	M an..3		+1	
C211	<i>Dimensions</i>	M			
6411	Measurement unit code	M an..3		+MMT	
6168	Length dimension value	C n..15		:1200	
6140	Width dimension value	C n..15		:2400	
6008	Height dimension value	C n..15		:2400'	

Description:

Example:

DIM+1+MMT:1200:2400:2400'

IFTMIN 1.1

Segments Layout

Group **SG37** Status: C Max. occ.: 999 Equipment

Segment **SEL** No.: 123 Level: 2 Seal number
Status: C Max. occ.: 99

Description Seal number

Description of Segment:

	Description	St Format	*	Example	Remarks
9308	Seal identifier	C an..35		+12345	
C215	<i>Seal issuer</i>	C			
9303	Sealing party name code	C an..3		+CA	CA = Carrier CU = Customs SH = Shipper TO = Terminal operator
1131	Code list identification code	C an..17		:	
3055	Code list responsible agency code	C an..3		:	
9302	Sealing party name	C an..35		:Plombe durch Absender'	

Description:

Example:

SEL+12345+CA:::Plombe durch Absender'

IFTMIN 1.1

Segments Layout

Segment **UNT** No.: 124 Level: 0 **Message trailer**
 Status: M Max. occ.: 1

Description Message trailer

Description of Segment:

	Description	St Format	*	Example	Remarks
0074	Number of segments in the message	M n..6		+120	
0062	Message reference number	M an..14		+000000 17310'	

Description:

Example:

UNT+120+00000017310'

IFTMIN 1.1

Segments Layout

Segment **UNZ** No.: 125 Level: 0 Interchange trailer
 Status: M Max. occ.: 1

Description Interchange trailer

Description of Segment:

	Description	St Format	*	Example	Remarks
0036	Interchange control count	M n..6		+1	
0020	Interchange control reference	M an..14		+123456'	

Description:

Example:

UNZ+1+123456'