

SPEDLOGSWISS



Message Implementation Documentation

Statusmeldung

based on

IFTSTA

International multimodal status report message

EANCOM® 2002 S3; D.01B; Edition 2010

- **Table of revisions**
- **Branching Diagram**
- **Segment Details**

Version: 1.2
Variant: final
Issue date: 18.10.2013

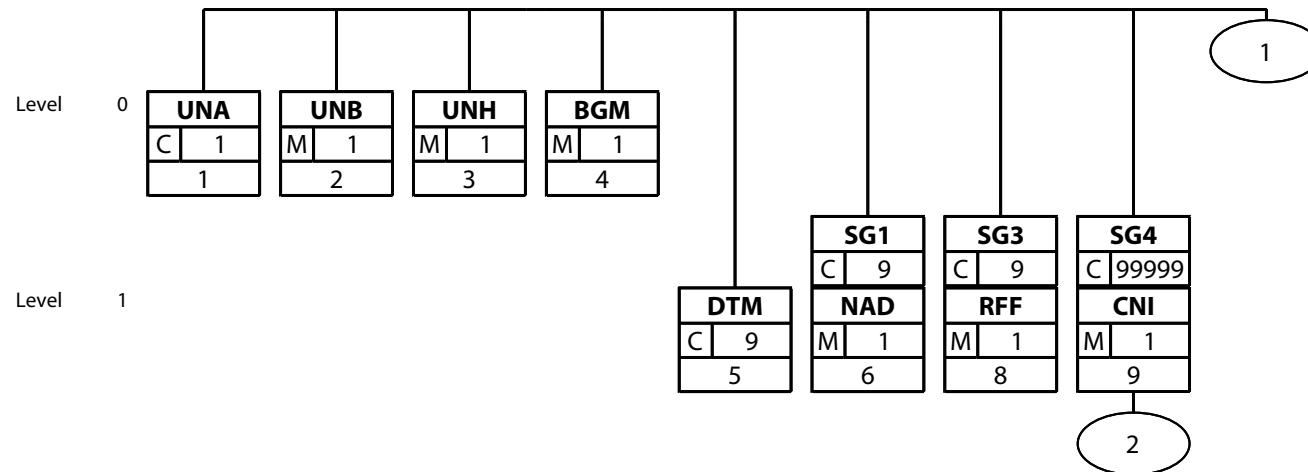
IFTSTA 1.2

Table of revisions

Lfd.Nr.	Kommentar	Segment und Datenelement			
01	15.03.2012: Publikation Version 1.0 final	3	UNH		
02	01.07.2013: Status 45 zugefügt	10	STS		
			SG4#1\SG5#1		
03	01.07.2013: DTM 71 + 74 zugefügt	17	DTM		
			SG4#1\SG5#1		
04	01.07.2013: Publikation Version 1.1 final	3	UNH		
05	18.10.2013: Code 20 + 25 zugefügt	10	STS	C555	4405
			SG4#1\SG5#1		
06	18.10.2013: Publikation Version 1.2 final	3	UNH		

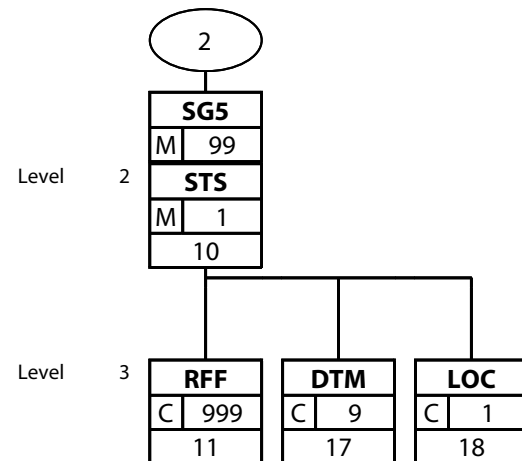
IFTSTA 1.2

Branching diagram



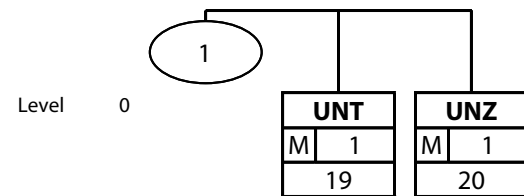
IFTSTA 1.2

Branching diagram



IFTSTA 1.2

Branching diagram



IFTSTA 1.2

Segments Layout

Segment **UNA** No.: 1 Level: 0 Service string advice
 Status: C Max. occ.: 1

Description Service string advice

Description of Segment:

	Description	St Format	*	Example	Remarks
UNA1	Component data element separator	M an1	*	:	
UNA2	Data element separator	M an1	*	+	
UNA3	Decimal notation	M an1	*	.	
UNA4	Release indicator	M an1	*	?	
UNA5	Reserved for future use	M an1	*	*	
UNA6	Segment terminator	M an1	*	'	

Description:

Example:

UNA:+.?*

IFTSTA 1.2

Segments Layout

Segment **UNB** No.: 2 Level: 0 Interchange header
 Status: M Max. occ.: 1

Description Interchange header

Description of Segment:

	Description	St Format	*	Example	Remarks
S001	<i>Syntax identifier</i>	M			
0001	Syntax identifier	M a4		+UNOC	
0002	Syntax version number	M n1		:3	
S002	<i>Interchange sender</i>	M			
0004	Sender identification	M an..35		+761234 5123455	
0007	Partner identification code qualifier	C an..4		:14	
S003	<i>Interchange recipient</i>	M			
0010	Recipient identification	M an..35		+761234 5543215	
0007	Partner identification code qualifier	C an..4		:14	
S004	<i>Date/time of preparation</i>	M			
0017	Date of preparation	M n6		+120513	
0019	Time of preparation	M n4		:1452	
0020	Interchange control reference	M an..14		+123456	
S005	<i>Recipient's reference, password</i>	C			
0022	Recipient's reference/ password	M an..14		+	
0026	Application reference	C an..14		+	
0029	Processing priority code	C a1		+	
0031	Acknowledgement request	C n1		+1	
0032	Communications agreement ID	C an..35		+	
0035	Test indicator	C n1		+1'	

Description:

Example:

UNB+UNOC:3+7612345123455:14+7612345543215:14+120513:1452+123456++++1+++1'

IFTSTA 1.2

Segments Layout

Segment **UNH** No.: 3 Level: 0 Message header
 Status: M Max. occ.: 1

Description Message header

Description of Segment:

	Description	St Format	*	Example	Remarks
0062	Message reference number	M an..14		+000000 17311	
S009	<i>Message identifier</i>	M			
0065	Message type	M an..6	*	+IFTSTA	IFTSTA = International multimodal status report message
0052	Message version number	M an..3	*	:D	D = Draft version/UN/EDIFACT Directory
0054	Message release number	M an..3	*	:01B	01B = Release 2001 - B
0051	Controlling agency	M an..2	*	:UN	UN = UN/CEFACT
0057	Association assigned code	R an..6	*	:EAN004'	EAN004 = GS1 version control number (GS1 Code) Indicates that the message is the EANCOM version 004 of the UNSM Transport Status.

Description:

Example:

UNH+00000017311+IFTSTA:D:01B:UN:EAN004'

IFTSTA 1.2

Segments Layout

Segment **BGM** No.: 4 Level: 0 Beginning of message
 Status: M Max. occ.: 1

Description Beginning of message

Description of Segment:

	Description	St Format	*	Example	Remarks
C002	<i>Document/message name</i>	R			
1001	Document name code	R an..3	*	+77	77 = Consignment status report
C106	<i>Document/message identification</i>	R			
1004	Document identifier	R an..35		+000000 17311	For global unique identification of documents Global Document Type Identifier (GDTI) is available.
1225	Message function code	R an..3	*	+9'	9 = Original 9 = Original - An original transmission of a transport status message.

Description:

Example:

BGM+77+00000017311+9'

IFTSTA 1.2

Segments Layout

Segment **DTM** No.: 5 Level: 1 Date/time/period
 Status: C Max. occ.: 9

Description Date/time/period

Description of Segment:

	Description	St Format	*	Example	Remarks
C507	<i>Date/time/period</i>	M			
2005	Date or time or period function code qualifier	M an..3	*	+137	137 = Document/message date/time
2380	Date or time or period value	R an..35		: 2012012 50800	
2379	Date or time or period format code	R an..3	*	:203'	203 = CCYYMMDDHHMM

Description:

Example:

DTM+137:201201250800:203'

IFTSTA 1.2

Segments Layout

Group	SG1	Status: C	Max. occ.: 9	Shipper
Segment	NAD	No.: 6 Status: M	Level: 1 Max. occ.: 1	Name and address

Description Name and address

Description of Segment:

	Description	St Format	*	Example	Remarks
3035	Party function code qualifier	M an..3	*	+CZ	CZ = Consignor
C082	<i>Party identification details</i>	A			
3039	Party identifier	M an..35		+761234 5888019	
1131	Code list identification code	N an..17		:	
3055	Code list responsible agency code	R an..3	*	:9	9 = GS1
C058	<i>Name and address</i>	C			
3124	Name and address description	M an..35		+	
C080	<i>Party name</i>	D			
3036	Party name	M an..35		+Shipper Name_1	
3036	Party name	O an..35		:	ShipperN ame_2
3036	Party name	O an..35		:	ShipperN ame_3
C059	<i>Street</i>	D			
3042	Street and number or post office box identifier	M an..35		+Shipper Street	
3164	City name	D an..35		+Shipper City	
C819	<i>Country sub-entity details</i>	C			
3229	Country sub-entity name code	C an..9		+	
3251	Postal identification code	D an..17		+4000	
3207	Country name code	D an..3		+AD'	

IFTSTA **1.2**

Segments Layout

Description:

Example:

NAD+CZ+7612345888019::9++ShipperName_1:ShipperName_2:ShipperName_3+ShipperStreet+ShipperCity++4000+AD'

IFTSTA 1.2

Segments Layout

Group	SG1	Status: M	Max. occ.: 9	Carrier
Segment	NAD	No.: 7 Status: M	Level: 1 Max. occ.: 1	Name and address

Description Name and address

Description of Segment:

	Description	St Format	*	Example	Remarks
3035	Party function code qualifier	M an..3	*	+CA	CA = Carrier
C082	<i>Party identification details</i>	A			
3039	Party identifier	M an..35		+761234 5888026	
1131	Code list identification code	N an..17		:	
3055	Code list responsible agency code	R an..3	*	:9	9 = GS1
C058	<i>Name and address</i>	C			
3124	Name and address description	M an..35		+	
C080	<i>Party name</i>	D			
3036	Party name	M an..35		+Carrier Name_1	
3036	Party name	O an..35		: Carrier_N ame2	
3036	Party name	O an..35		: Carrier_N ame3	
C059	<i>Street</i>	D			
3042	Street and number or post office box identifier	M an..35		+CarrierS treet	
3164	City name	D an..35		+Shipper City	
C819	<i>Country sub-entity details</i>	C			
3229	Country sub-entity name code	C an..9		+	
3251	Postal identification code	D an..17		+8000	
3207	Country name code	D an..3		+AD'	

IFTSTA **1.2**

Segments Layout

Description:

Example:

NAD+CA+7612345888026::9++CarrierName_1:Carrier_Name2:Carrier_Name3+CarrierStreet+ShipperCity++8000+AD'

IFTSTA 1.2

Segments Layout

Group **SG3** Status: C Max. occ.: 9 Spedlogswiss Webentry Auftragsnummer

Segment **RFF** No.: 8 Level: 1 Reference
Status: M Max. occ.: 1

Description Reference

Description of Segment:

	Description	St Format	*	Example	Remarks
C506	Reference	M			
1153	Reference code qualifier	M an..3	*	+CU	CU = Consignor's reference number Spedlogswiss Webentry Auftragsnummer
1154	Reference identifier	R an..70		: 1004439 2'	

Description:

Example:

RFF+CU:10044392'

IFTSTA 1.2

Segments Layout

Group **SG4** Status: C Max. occ.: 99999 CNI-SG5

Segment **CNI** No.: 9 Level: 1 **Consignment information**
 Status: M Max. occ.: 1

Description Consignment information

Description of Segment:

	Description	St Format	*	Example	Remarks
1490	Consolidation item number	R n..4		+1'	Serial number differentiating each separate consignment included in the status report.

Description:

Example:

CNI+1'

IFTSTA 1.2

Segments Layout

Group	SG4	Status: C	Max. occ.: 99999	CNI-SG5
Group	SG5	Status: M	Max. occ.: 99	STS-RFF-DTM-LOC
Segment	STS	No.: 10 Status: M	Level: 2 Max. occ.: 1	Status

Description Status

Description of Segment:

	Description	St Format	*	Example	Remarks
C601	Status category	C			
9015	Status category code	M an..3		+	
C555	Status	O			
4405	Status description code	M an..3	*	+1E	5 = Subject to final payment 12 = Cleared by customs 13 = Collection/pick-up, completed 18 = Damaged in the course of transportation 20 = Delayed, in the course of transportation 21 = Delivery, completed 24 = Departure, completed 25 = Departure, delayed 45 = Arrival, consignee informed 6E = Booked (GS1 Code) 77E = Not delivered (GS1 Code) 1E = Arrived (GS1 Code)
1131	Code list identification code	O an..17		:	
3055	Code list responsible agency code	D an..3	*	:9'	9 = GS1

Description:

Example:
STS++1E::9'

IFTSTA 1.2

Segments Layout

<i>Group</i>	SG4	Status: C	Max. occ.: 99999	CNI-SG5
<i>Group</i>	SG5	Status: M	Max. occ.: 99	STS-RFF-DTM-LOC
<i>Segment</i>	RFF	No.: 11 Status: C	Level: 3 Max. occ.: 999	Reference

Description Transport Document Numer

Description of Segment:

	Description	St Format	*	Example	Remarks
C506	<i>Reference</i>	M			
1153	Reference code qualifier	M an..3	*	+AAS	AAS = Transport document number
1154	Reference identifier	R an..70		:TDN-12/0015'	

Description:

Example:

RFF+AAS:TDN-12/0015'

IFTSTA 1.2

Segments Layout

<i>Group</i>	SG4	Status: C	Max. occ.: 99999	CNI-SG5
<i>Group</i>	SG5	Status: M	Max. occ.: 99	STS-RFF-DTM-LOC
<i>Segment</i>	RFF	No.: 12 Status: C	Level: 3 Max. occ.: 999	Reference

Description House Bill of Lading Nnumber

Description of Segment:

	Description	St Format	*	Example	Remarks
C506	<i>Reference</i>	M			
1153	Reference code qualifier	M an..3	*	+BM	BM = Bill of lading number
1154	Reference identifier	R an..70		:HBL-12345'	

Description:

Example:

RFF+BM:HBL-12345'

IFTSTA 1.2

Segments Layout

<i>Group</i>	SG4	Status: C	Max. occ.: 99999	CNI-SG5
<i>Group</i>	SG5	Status: M	Max. occ.: 99	STS-RFF-DTM-LOC
<i>Segment</i>	RFF	No.: 13 Status: C	Level: 3 Max. occ.: 999	Reference

Description Master Air Waybill Number

Description of Segment:

	Description	St Format	*	Example	Remarks
C506	<i>Reference</i>	M			
1153	Reference code qualifier	M an..3	*	+MWB	MWB = Master air waybill number
1154	Reference identifier	R an..70		:MWB-12345'	

Description:

Example:

RFF+MWB:MWB-12345'

IFTSTA 1.2

Segments Layout

<i>Group</i>	SG4	Status: C	Max. occ.: 99999	CNI-SG5
<i>Group</i>	SG5	Status: M	Max. occ.: 99	STS-RFF-DTM-LOC
<i>Segment</i>	RFF	No.: 14 Status: C	Level: 3 Max. occ.: 999	Reference

Description Master Bill of Lading Number

Description of Segment:

	Description	St Format	*	Example	Remarks
C506	<i>Reference</i>	M			
1153	Reference code qualifier	M an..3	*	+MB	MB = Master bill of lading number
1154	Reference identifier	R an..70		:MB-12345'	

Description:

Example:

RFF+MB:MB-12345'

IFTSTA 1.2

Segments Layout

<i>Group</i>	SG4	Status: C	Max. occ.: 99999	CNI-SG5
<i>Group</i>	SG5	Status: M	Max. occ.: 99	STS-RFF-DTM-LOC
<i>Segment</i>	RFF	No.: 15 Status: C	Level: 3 Max. occ.: 999	Reference

Description Seal Number

Description of Segment:

	Description	St Format	*	Example	Remarks
C506	<i>Reference</i>	M			
1153	Reference code qualifier	M an..3	*	+SN	SN = Seal number
1154	Reference identifier	R an..70		:SN-123'	

Description:

Example:

RFF+SN:SN-123'

IFTSTA 1.2

Segments Layout

<i>Group</i>	SG4	Status: C	Max. occ.: 99999	CNI-SG5
<i>Group</i>	SG5	Status: M	Max. occ.: 99	STS-RFF-DTM-LOC
<i>Segment</i>	RFF	No.: 16 Status: C	Level: 3 Max. occ.: 999	Reference

Description Unique Load Device

Description of Segment:

	Description	St Format	*	Example	Remarks
C506	<i>Reference</i>	M			
1153	Reference code qualifier	M an..3	*	+AAQ	AAQ = Unit load device (e.g. container) identification number
1154	Reference identifier	R an..70		: MGBU22 23337'	

Description:

Example:

RFF+AAQ:MGBU2223337'

IFTSTA 1.2

Segments Layout

<i>Group</i>	SG4	Status: C	Max. occ.: 99999	CNI-SG5
<i>Group</i>	SG5	Status: M	Max. occ.: 99	STS-RFF-DTM-LOC
<i>Segment</i>	DTM	No.: 17 Status: C	Level: 3 Max. occ.: 9	Date/time/period

Description Date/time/period

Description of Segment:

	Description	St Format	*	Example	Remarks
C507	<i>Date/time/period</i>	M			
2005	Date or time or period function code qualifier	M an..3	*	+7	7 = Effective date/time 71 = Delivery date/time, requested for (after and including) 74 = Delivery date/time, requested for (prior to and including)
2380	Date or time or period value	R an..35		:	
				2012013 11000	
2379	Date or time or period format code	R an..3	*	:203'	203 = CCYYMMDDHHMM

Description:

Example:

DTM+7:201201311000:203'

IFTSTA 1.2

Segments Layout

Group	SG4	Status: C	Max. occ.: 99999	CNI-SG5
Group	SG5	Status: M	Max. occ.: 99	STS-RFF-DTM-LOC
Segment	LOC	No.: 18 Status: C	Level: 3 Max. occ.: 1	Place/location identification

Description Place/location identification

Description of Segment:

	Description	St Format	*	Example	Remarks
3227	Location function code qualifier	M an..3	*	+16E	16E = Location of status (GS1 Code)
C517	<i>Location identification</i>	A			
3225	Location name code	A an..25		+HKHKG	
1131	Code list identification code	C an..17		:	
3055	Code list responsible agency code	D an..3	*	:5	5 = ISO (International Organization for Standardization)
3224	Location name	O an..256		: Hongkong'	

Description:

Example:

LOC+16E+HKHKG::5:Hongkong'

IFTSTA 1.2

Segments Layout

Segment **UNT** No.: 19 Level: 0 **Message trailer**
 Status: M Max. occ.: 1

Description Message trailer

Description of Segment:

	Description	St Format	*	Example	Remarks
0074	Number of segments in the message	M n..6		+17	
0062	Message reference number	M an..14		+000000 17311'	

Description:

Example:

UNT+17+00000017311'

